

### IN-DASH INSTALLATION KIT FOR **1998-UP CHRYSLER AND JEEP VEHICLES** INSTALLATION INSTRUCTIONS

<b>CHRYSLER</b>	<b>PAGE</b>	<b>DODGE (CONT'D)</b>	<b>PAGE</b>
2005-07 300 .....	6	2000-05 NEON .....	8
1999-04 300M .....	6	2006-UP RAM .....	8
1998-01 LHS .....	6	2002-05 RAM .....	8
1998-04 CONCORDE .....	7	2001-06 STRATUS .....	8
2001-05 PT CRUISER .....	7		
2001-06 SEBRING CONV. ....	7	<b>JEEP</b>	
2001-05 SEBRING COUPE .....	7	2005-07 GRAND CHEROKEE .....	8
2001-06 SEBRING SEDAN .....	7	1999-04 GRAND CHEROKEE .....	8
2001-07 TOWN & COUNTRY .....	7	2002-UP LIBERTY .....	9
		<b>PLYMOUTH</b>	
<b>DODGE</b>		2000 NEON .....	8
2001-07 CARAVAN .....	7	2001 VOYAGER .....	7
2006-07 CHARGER .....	7		
2005-07 DAKOTA .....	7		
2001-04 DAKOTA EXTRA CAB .....	8		
2004-07 DURANGO .....	8		
2000-03 DURANGO .....	8		
1998-04 INTREPID .....	6		
2004-07 MAGNUM .....	6		

#### CAR STEREO CONNECTORS

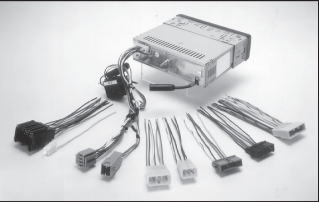
**PROVIDE EASY CONNECTION OF YOUR CAR STEREO TO FACTORY WIRING HARNESS.**

##### **CRO12**

1984-up Chrysler vehicles car stereo connector

##### **CRO3SR**

2005-up select Chrysler, Dodge, Jeep radio replacement interface



#### LIABILITY DISCLAIMER

This instruction booklet is based on carefully documented data and research of automobile dash disassembly, wire harness/codes and information pertaining to installation of this kit (#CJ2086) in 1998-UP Chrysler and Jeep Vehicles. Scosche Industries, Inc. can not be held responsible for discrepancies/inconsistencies that may occur due to the automobile manufacturing changes or options, or damage that may occur in the automobile during the installation of components while using this booklet.

# QUICK START GUIDE

## INTRODUCTION

The Scosche in-Dash Installation Kit for 1998-UP Chrysler and Jeep Vehicles provides the parts you need to mount your car stereo/cassette player into your vehicle's dash. Refer to the individual instructions in this manual to remove your vehicle's factory installed radio.

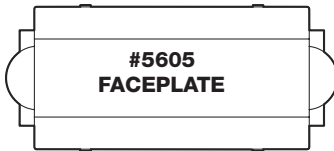
## PRELIMINARY PARTS LIST

### Your kit includes:

- 1 Mounting Panel
- 2 Faceplates

## ASSEMBLING THE KIT

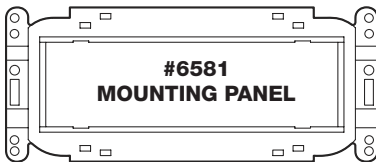
The instructions for each vehicle show which mounting panel and brackets to use. Each piece is clearly identified on the back.




2005-07 300  
2006-07 CHARGER  
2005-07 DAKOTA  
2004-07 DURANGO  
2005-07 GRAND CHEROKEE  
2004-07 MAGNUM  
2006-UP RAM



1999-04 300M  
2001-07 CARAVAN  
1998-04 CONCORDE  
2001-04 DAKOTA  
EXTRA CAB  
2000-03 DURANGO  
1999-04 GRAND  
CHEROKEE  
1998-04 INTREPID  
1998-01 LHS  
2000-05 NEON  
2002-UP LIBERTY  
2001-05 PT CRUISER  
2002-05 RAM  
2001-06 SEBRING CONV.  
2001-05 SEBRING COUPE  
2001-06 SEBRING SEDAN  
2001-06 STRATUS  
2001-05 TOWN & COUNTRY  
2001 VOYAGER



← MAIN MOUNTING PANEL  
NEEDED FOR ALL VEHICLES

 SHAFT RADIO TABS ARE PROVIDED BY REQUEST, PLEASE CALL TECH SUPPORT IF INSTALLING A SHAFT (3-HOLE) STYLE UNIT: 1-800-621-3695 x3 



## IMPORTANT!

*Do Not Return Product  
to the Retailer!*

IF YOU NEED ASSISTANCE OR REPLACEMENT PARTS

Call us **FIRST** at . . .

**1-800-621-3695 ext 3**

Toll Free, No-Charge tech support

• FRIENDLY CUSTOMER  
SERVICE TECHNICIANS  
• YOU WON'T BE ON HOLD  
LONGER THAN 5 MINUTES

OUR HOURS ARE:

Monday - Friday 8:00 a.m. to 5:30 p.m. (PST)

Saturday 8:00 a.m. to 2:00 p.m. (PST)

# QUICK START GUIDE

## PRELIMINARY



**STOP**

**BEFORE BEGINNING - Read QUICK START GUIDE pages 2-6**

**CAUTION: BEFORE PROCEEDING WITH THE INSTALLATION, DISCONNECT YOUR VEHICLE'S NEGATIVE BATTERY CABLE TO PREVENT POSSIBLE ELECTRICAL SYSTEM DAMAGE.**

## STEP 1 PICK YOUR VEHICLE

Locate your vehicle on the front cover of this instruction.

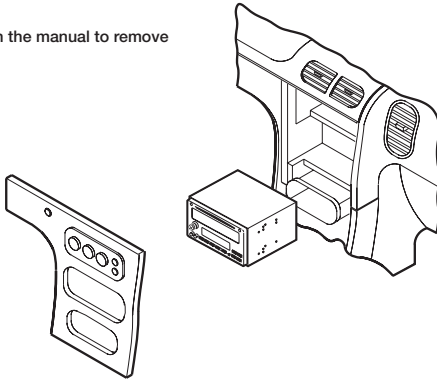
## STEP 2 FACTORY RADIO?

Does your vehicle have the factory radio? If YES, proceed to next **STEP 3**

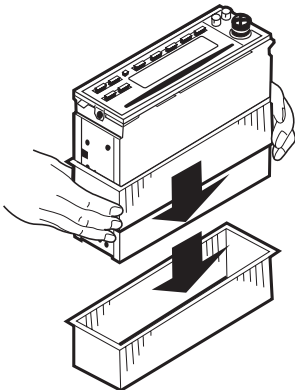
If NO, go to **STEP 4**

## STEP 3 REMOVE FACTORY STEREO

Use the step's provided in the manual to remove factory radio.



## STEP 4 RADIO ASSEMBLY



### REMOVE SLEEVE FROM STEREO

1. Locate the locking mechanism on your DIN radio sleeve (typically) on the side.
2. Slip mounting sleeve towards rear of stereo and remove.

**\* NOTE:**  
SNAP SHAFT MOUNTING TABS NOT INCLUDED. IF REQUIRED FOR YOUR STEREO INSTALLATION, CALL 800-621-3695 X3 FOR IMMEDIATE SHIPMENT

## QUICK START GUIDE

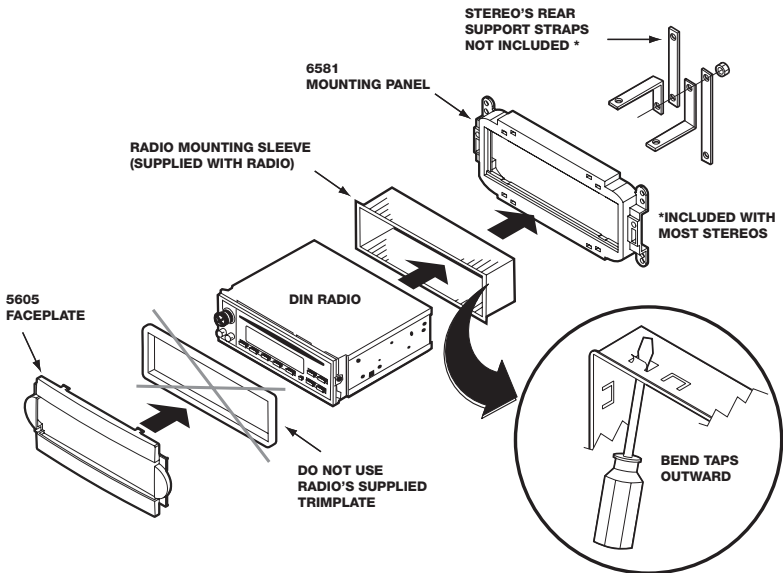
### STEP 5

### KIT/PANEL ASSEMBLY - #5605 FACEPLATE

#### FLATFACE DIN/DETACHABLE FACEPLATE/PULLOUT (DIN-E) RADIOS

Slide the mounting sleeve (metal shroud) into the panel's radio opening and bend all available mounting tabs outward (see inset). Slide the radio into the mounting sleeve once it has been fastened to the kit panel until the radio locks into place.

**NOTE:** The mounting sleeve must be removed from the radio first! Your radio may be snapped into its sleeve. Slide the mounting sleeve (metal shroud) off the radio towards the back.



### STEP 5

### KIT/PANEL ASSEMBLY (Cont'd) - #6580 FACEPLATE

#### FLATFACE DIN/DETACHABLE FACEPLATE/PULLOUT (DIN-E) RADIOS

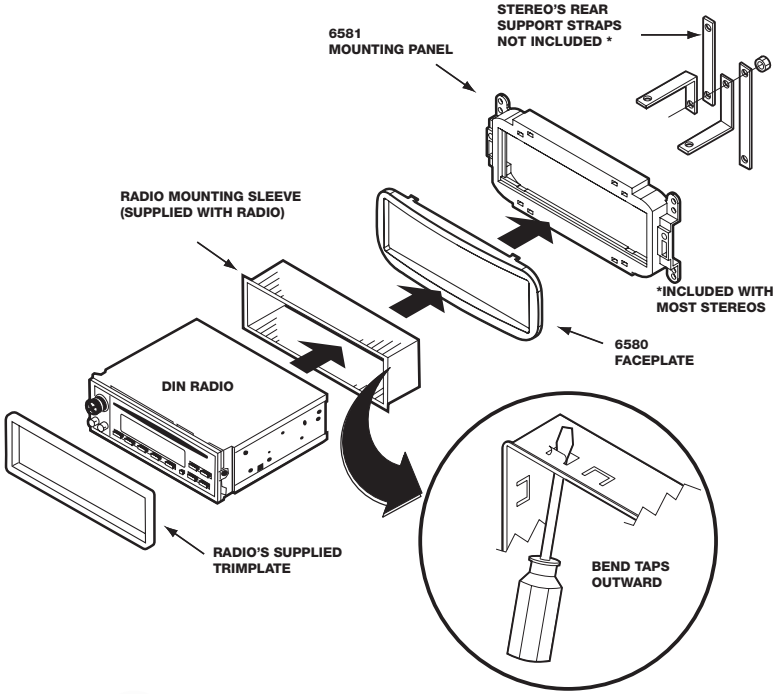
Slide the mounting sleeve (metal shroud) into the panel's radio opening and bend all available mounting tabs outward (see inset). Slide the radio into the mounting sleeve once it has been fastened to the kit panel until the radio locks into place.

**NOTE:** The mounting sleeve must be removed from the radio first! Your radio may be snapped into its sleeve. Slide the mounting sleeve (metal shroud) off the radio towards the back.

## QUICK START GUIDE

### STEP 5

### KIT/PANEL ASSEMBLY (Cont'd) - #6580 FACEPLATE



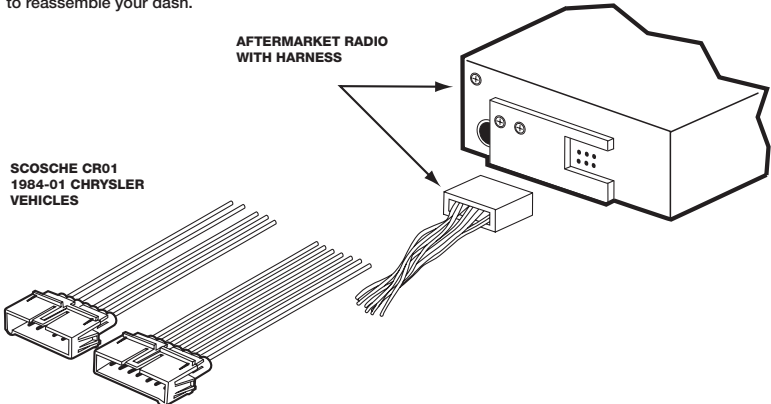
### STEP 6

### CAR STEREO CONNECTORS \*

**WE RECOMMEND THE USE OF SCOSCHE CAR STEREO CONNECTORS**

**\*NOT INCLUDED**

Wire up your new aftermarket stereo to the Scosche wiring connector and install the Scosche kit and new stereo assembly to your vehicle. Then follow the dash disassembly for your specific vehicle in reverse order to reassemble your dash.



## FACTORY WIRING CODES

**NOTE:** The following connectors are available to easily plug your new stereo cassette/disc player into the factory harness:

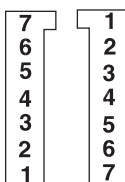
PART#	DESCRIPTION:
<b>CR012</b>	1984-2005 Chrysler Vehicles

**NOTE:** • All wire codes are viewed as looking at the front of the plug with the wires exiting the rear.  
• Use these wiring codes as a guide. Your vehicle might differ.

### 1984-2001 CHRYSLER VEHICLES

**GRAY CONNECTOR - POWER/SPEAKER:**

- 1** = 12 Volt Battery/Constant (12V+)
- 2** = 12 Volt Ignition/Switched (12V+)
- 3** = Radio Light
- 4** = Memory Light
- 5** = Right Front Negative (RF-)
- 6** = Left Front Negative (LF-)
- 7** = Not Used



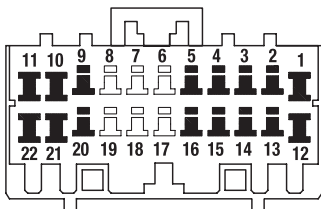
**BLACK CONNECTOR - SPEAKER:**

- 1** = Right Rear Negative (RR-)
- 2** = Left Rear Negative (LR-)
- 3** = Right Front Positive (RF+)
- 4** = Left Front Positive (LF+)
- 5** = Right Rear Positive (RR+)
- 6** = Left Rear Positive (LR+)
- 7** = Power Antenna

### 2002-UP SELECT CHRYSLER VEHICLES

**CONNECTOR - SPEAKER/POWER:**

- |   |   |  |
|---|---|--|
| <ul style="list-style-type: none"> <li><b>1</b> = 12 Volt Battery/Constant (12V+)</li> <li><b>2</b> = Amp Remote</li> <li><b>3</b> = Not Used</li> <li><b>4</b> = Not Used</li> <li><b>5</b> = Not Used</li> <li><b>6</b> = Not Used</li> </ul> | <ul style="list-style-type: none"> <li><b>7</b> = Left Rear Positive (LR+)</li> <li><b>8</b> = Left Rear Negative (LR-)</li> <li><b>9</b> = Right Rear Negative (RR-)</li> <li><b>10</b> = Right Rear Positive (RR+)</li> <li><b>11</b> = Ground</li> <li><b>12</b> = 12 Volt Battery/Constant (12V+)</li> <li><b>13</b> = 12 Volt Ignition/Switched (12V+)</li> <li><b>14</b> = Illumination/Dimmer</li> </ul> | <ul style="list-style-type: none"> <li><b>15</b> = Not Used</li> <li><b>16</b> = Not Used</li> <li><b>17</b> = Not Used</li> <li><b>18</b> = Right Front Positive (RF+)</li> <li><b>19</b> = Right Front Negative (RF-)</li> <li><b>20</b> = Left Front Negative (LF-)</li> <li><b>21</b> = Left Front Positive (LF+)</li> <li><b>22</b> = Ground</li> </ul> |
|---|---|--|



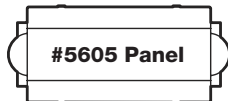
## 2005-07 Chrysler 300 2004-07 Dodge Magnum

**Radio Removal:**

1. Using a panel removal tool, carefully pry out ashtray and ashtray housing.
2. Starting from the bottom, carefully pry out the radio/climate control dash bezel. Disconnect and remove.
3. Remove four (4) Phillips head screws from radio bracket. Disconnect and remove.



Read pages 2-5 for kit assembly.



## 1999-04 Chrysler 300M 1998-01 Chrysler LHS 1998-04 Dodge Intrepid

**Radio Removal:**

1. Carefully pop up lower shifter console trim bezel and slide towards rear of car.
2. Carefully pop out radio/climate control panel, unplug connectors and remove.
3. Extract (4) screws holding radio in, unplug and remove radio.



Read pages 2-5 for kit assembly.



## 1998-04 Chrysler Concorde



Read pages 2-5  
for kit assembly.

### Radio Removal:

1. Carefully pop out radio/climate control bezel, unplug and remove.
2. Extract (4) screws holding radio in, unplug and remove radio.

#6580 Panel

## 2001-05 Chrysler PT Cruiser



Read pages 2-5  
for kit assembly.

### Radio Removal:

1. Using a small pick tool, unsnap power window control. Extract (1) Phillips head screw from behind, lift away, disconnect and remove.
2. Using a panel removal tool, carefully remove dash bezel.
3. Extract (4) Phillips head screws securing radio, lift away, disconnect and remove.

#6580 Panel

## 2001-06 Chrysler Sebring Convertible 2001-06 Chrysler Sebring Sedan



Read pages 2-5  
for kit assembly.

### Radio Removal:

1. Use panel removal tool to pry out radio dash bezel.
2. Disconnect and remove bezel.
3. Extract (4) Phillips head screws from radio.
4. Pull radio away, disconnect and remove.

#6580 Panel

## 2001-05 Chrysler Sebring Coupe



Read pages 2-5  
for kit assembly.

### Radio Removal:

1. Extract (2) Phillips head screws from bottom of radio bezel.
2. Using a panel removal tool, unsnap and remove the dash bezel.
3. Extract (4) Phillips head screws securing radio, lift away, disconnect and remove.

#6580 Panel

## 2001-07 Chrysler Town and Country 2001-07 Dodge Caravan 2001 Plymouth Voyager



Read pages 2-5  
for kit assembly.

### Radio Removal:

1. Open drink holder and remove screw cover panel at bottom of radio bezel, extract (2) Phillips screws from behind.
2. Using a panel removal tool, unsnap, disconnect, and remove the dash bezel.
3. Extract (4) Phillips head screws securing radio, lift away, disconnect and remove.

#6580 Panel

## 2006-07 Dodge Charger



Read pages 2-5  
for kit assembly.

### Radio Removal:

1. Using panel removal tool, unsnap the dash bezel surrounding the factory radio, lift away, disconnect and remove.
2. Extract (4) four Phillips head screws securing radio, lift away, disconnect and remove.

#5605 Panel

## 2005-07 Dodge Dakota



Read pages 2-5  
for kit assembly.

### Radio Removal:

1. Extract two (2) Phillips head screws at bottom of center dash bezel.
2. Using panel removal tool, carefully unsnap center dash bezel from top to bottom, lift away, disconnect and remove.
3. Extract (4) four Phillips head screws securing radio, lift away, disconnect and remove.

#5605 Panel

## 2001-04 Dodge Dakota Extra Cab 2000-03 Dodge Durango



Read pages 2-5  
for kit assembly.

### Radio Removal:

1. Extract (2) Phillips screws from top of instrument cluster.
2. Extract (3) T-20 torx screws from bottom dash panel and pull down.
3. Using panel removal tool, carefully pry out dash bezel, disconnect and remove.
4. Extract (4) Phillips screws securing radio, disconnect and remove.



#6580 Panel

## 2004-07 Dodge Durango



Read pages 2-5  
for kit assembly.

### Radio Removal:

1. Using a Phillips screw driver, remove two (2) screws in an upward angle at bottom edge of radio and A/C control bezel.
2. Using panel removal tool, pop out radio dash bezel and remove.
3. Using a Phillips screw driver, remove four (4) screws from radio, disconnect and remove.



#5605 Panel

## 2000-05 Dodge Neon 2000 Plymouth Neon



Read pages 2-5  
for kit assembly.

### Radio Removal:

1. Rotate vents until they unsnap, lift away and remove. Extract (2) screws from behind.
2. Remove temperature control knobs.
3. Unsnap bezel, lift away and remove.
4. Extract (4) screws holding radio in, unplug and remove radio.



#6580 Panel

## 2006-UP Dodge Ram



Read pages 2-5  
for kit assembly.

### Radio Removal:

1. Unsnap the top portion of center console using a panel removal tool.
2. Extract (3) Phillips head screws securing the rest of the center console. Lift away and remove.
3. Extract (2) Phillips head screws securing a trim panel that meets the carpet and the dash together.
4. Once trim panel is removed, unsnap the panel from behind that would originally hug the center console.
5. After the panel is removed, access and extract (2) Phillips head screws screwed in a vertical direction securing the dash bezel surrounding the radio.
6. Using a panel removal tool, unsnap the dash bezel surrounding the radio. Lift away, disconnect and remove.



#5605 Panel

## 2002-05 Dodge Ram



Read pages 2-5  
for kit assembly.

### Radio Removal:

1. Extract one (1) Phillips Head Screw from below passenger side vent.
2. Extract two (2) Phillips Head Screws securing knee panel and remove.
3. Use fingers to pull top of trim bezel out, then pry out bottom.



#6580 Panel

## 2001-06 Dodge Stratus



Read pages 2-5  
for kit assembly.

### Radio Removal:

1. Using panel removal tool, carefully pry out radio bezel, disconnect and remove.
2. Extract (4) Phillips head screw securing radio, disconnect and remove.



#6580 Panel

## 2005-07 Jeep Grand Cherokee



Read pages 2-5  
for kit assembly.

### Radio Removal:

1. Using panel removal tool, carefully unsnap radio trim bezel, lift away and remove.
2. Extract four (4) Phillips head screws securing the radio, lift away, disconnect and remove.



#5605 Panel

## 1999-04 Jeep Grand Cherokee



Read pages 2-5  
for kit assembly.

### Radio Removal:

1. Carefully pop up out radio/vent trim bezel and remove.
3. Extract (4) screws holding radio in, unplug and remove radio.



#6580 Panel

## 2002-UP Jeep Liberty

### Radio Removal:

1. Remove ashtray and extract (1) Philips screws, From Behind.
2. Carefully pry out radio bezel using fingers, disconnect and remove.
3. Extract (4) Philips head screws securing radio, disconnect and remove.

#6580 Panel

**STOP**

Read pages 2-5 for kit assembly.

Para ilustraciones detalladas sobre ensamblar el panel de montaje y el orificio para este vehículo, reférrise a la sección en inglés.

Léase las páginas 2-5 para ensamblar el kit de instalación

**ALTO**

## 2002-UP Jeep Liberty

### Desmontaje del Radio:

1. Separe el centricero y extraiga (1) tornillo Philips desde la parte posterior.
2. Con cuidado separe el bisel del radio utilizando sus dedos, desconecte y remueva.
3. Extraiga (4) tornillos Philips con cabeza y que se encuentran asegurando el radio, desconecte y remueva.

Para ilustraciones detalladas sobre ensamblar el panel de montaje y el orificio para este vehículo, reférrise a la sección en inglés.

Léase las páginas 2-5 para ensamblar el kit de instalación

**ALTO**

## 1999-04 Jeep Grand Cherokee

### Desmontaje del Radio:

1. Desprenda con cuidado el bisel asociado al radio/ventilador y remuevalo.
2. Extraiga los (4) tornillos que sostienen al radio, desconecte y remueva el radio.

Para ilustraciones detalladas sobre ensamblar el panel de montaje y el orificio para este vehículo, reférrise a la sección en inglés.

Léase las páginas 2-5 para ensamblar el kit de instalación

**ALTO**

## 2005-07 Jeep Grand Cherokee

### Desmontaje del Radio:

1. Usando una herramienta extractora de paneles destrabe cuidadosamente el borde de la radio, levántelo y sáquelo.
2. Saque los cuatro (4) tornillos Philips que sujetan la radio, levántela, desconéctela y sáquela.

Para ilustraciones detalladas sobre ensamblar el panel de montaje y el orificio para este vehículo, reférrise a la sección en inglés.

Léase las páginas 2-5 para ensamblar el kit de instalación

**ALTO**

## 2001-06 Dodge Stratus

### Desmontaje del Radio:

1. Utilice la herramienta de remoción del panel y con cuidado separe el bisel del radio, desconecte y remueva.
2. Extraiga (4) tornillos Philips con cabeza y que se encuentran asegurando el radio, desconecte y remueva.

Para ilustraciones detalladas sobre ensamblar el panel de montaje y el orificio para este vehículo, reférrise a la sección en inglés.

Léase las páginas 2-5 para ensamblar el kit de instalación

**ALTO**

## 2002-05 Dodge Ram

### Desmontaje del Radio:

1. Extraer el tornillo (1) de cabeza en cruz que está debajo de la rejilla de ventilación del lado del pasajero.
2. Sacar el panel que está a la altura de la rodilla extrayendo los (2) tornillos de cabeza en cruz.
3. Sacar el bisel jalando del borde superior con los dedos y después palanquear el borde inferior.

Para ilustraciones detalladas sobre ensamblar el panel de montaje y el orificio para este vehículo, reférrise a la sección en inglés.

Léase las páginas 2-5 para ensamblar el kit de instalación

**ALTO**

## 2006-UP Dodge Ram

### Desmontaje del Radio:

1. Destrabe la parte superior de la consola central usando una herramienta extractora de paneles.
2. Saque los tres (3) tornillos Philips que sujetan el resto de la consola central. Levántela y sáquela.
3. Saque los dos (2) tornillos Philips que sujetan un borde que une la alfombra y el tablero.
4. Luego de sacar el borde del panel, destrabe el panel que cubre la consola central, desde atrás.
5. Luego de sacar el panel, localice y saque los dos (2) tornillos Philips colocados en posición vertical que sujetan el borde del panel alrededor de la radio.
6. Usando una herramienta extractora de paneles, destrabe el borde del panel alrededor de la radio. Levántela, desconéctela y sáquela.

Para ilustraciones detalladas sobre ensamblar el panel de montaje y el orificio para este vehículo, reférrise a la sección en inglés.

Léase las páginas 2-5 para ensamblar el kit de instalación

**ALTO**

## 2000-05 Dodge Neon

### Desmontaje del Radio:

1. Gire las ventillas hasta que se desprendan, levántelas y quítelas. Extraiga los (2) tornillos que se encuentran en la parte posterior.
2. Remueva las perillas de control de temperatura.
3. Desprenda el bisel, levántelo y remueva.
4. Extraiga los (4) tornillos que sostienen al radio, desconecte y remueva el radio.

Para ilustraciones detalladas sobre ensamblar el panel de montaje y el orificio para este vehículo, reférrise a la sección en inglés.

Léase las páginas 2-5 para ensamblar el kit de instalación

**ALTO**

**2001-05 Chrysler PT Cruiser**

Lea las páginas 2-5 para ensamblar el kit de instalación

1. Utilice una pequeña herramienta punzante para desprender el control de potencia en la ventana. Extraiga un (1) tornillo Phillips de la parte posterior y levante hacia fuera, desconecte y remueva.
2. Utilice la herramienta de remoción del panel para remover con cuidado el bisel del tablero.
3. Extraiga los (4) tornillos Phillips que sostienen al radio, levante hacia fuera, desconecte y remueva.

Para ilustraciones detalladas sobre ensamblar el panel de montaje y el orificio para este vehículo, refiérase a la sección en inglés.



Lea las páginas 2-5 para ensamblar el kit de instalación

**2001-06 Chrysler Sebring Convertible**

Para ilustraciones detalladas sobre ensamblar el panel de montaje y el orificio para este vehículo, refiérase a la sección en inglés.



Lea las páginas 2-5 para ensamblar el kit de instalación

**2001-06 Chrysler Sebring Coupe**

Para ilustraciones detalladas sobre ensamblar el panel de montaje y el orificio para este vehículo, refiérase a la sección en inglés.



Lea las páginas 2-5 para ensamblar el kit de instalación

**2001-07 Chrysler Town and Country**

**2001-07 Dodge Caravan**

**2001 Plymouth Voyager**

Para ilustraciones detalladas sobre ensamblar el panel de montaje y el orificio para este vehículo, refiérase a la sección en inglés.



Lea las páginas 2-5 para ensamblar el kit de instalación

**2006-07 Dodge Charger**

**Desmontaje del Radio:**

1. Usando una herramienta extractora de paneles, destrabe el borde alrededor del panel de la radio original, levántelo, desconéctelo y sáquelo.
2. Saque los cuatro (4) tornillos Phillips que sujetan la radio, levántela, desconéctela y sáquela.

Lea las páginas 2-5 para ensamblar el kit de instalación

**2005-07 Dodge Dakota**

**Desmontaje del Radio:**

1. Saque los dos (2) tornillos Phillips debajo del centro del panel del tablero.
2. Usando una herramienta extractora de paneles, destrabe el borde del panel central desde arriba hacia abajo, levántelo, desconéctelo y sáquelo.
3. Saque los cuatro (4) tornillos Phillips que sujetan la radio, levántela, desconéctela y sáquela.



Lea las páginas 2-5 para ensamblar el kit de instalación

**2001-04 Dodge Dakota Extra Cab**

**Desmontaje del Radio:**

1. Extraiga (2) tornillos Phillips de la parte superior del tablero instrumental.
2. Extraiga (3) tornillos de torsión T-20 de la parte inferior del tablero y jale hacia abajo.
3. Utilice la herramienta de remoción del panel para separar cuidadosamente el bisel del tablero, desconecte y remueva.
4. Extraiga (4) tornillos Phillips que se encuentran asegurando al radio, desconecte y remueva.



Lea las páginas 2-5 para ensamblar el kit de instalación

**2004-07 Dodge Durango**

**Desmontaje del Radio:**

1. Usando un destornillador Phillips, saque los dos (2) tornillos en ángulo hacia arriba que están en el borde inferior del borde de la radio y los controles de A/C.
2. Usando una herramienta extractora de paneles, destrabe el borde de la radio y sáquelo.
3. Usando un destornillador Phillips, saque los cuatro (4) tornillos de la radio, desconéctela y sáquela.



Para ilustraciones detalladas sobre ensamblar el panel de montaje y el orificio para este vehículo, refiérase a la sección en inglés.

Para ilustraciones detalladas sobre ensamblar el panel de montaje y el orificio para este vehículo, refiérase a la sección en inglés.

Lease las páginas 2-5 para ensamblar el kit de instalación



### 1998-04 Chrysler Concorde

#### Desmontaje del Radio:

1. Desprenda con cuidado el bisel de control del radio/clima, desconecte y remueva.
2. Extraiga los (4) tornillos que sostienen al radio, desconecte y remueva el radio.

3. Extraiga los (4) tornillos que sostienen al panel de control de clima y radio, desconecte los conectores y remueva.
2. Desprenda con cuidado el panel de control de clima y radio, desconecte los conectores y remueva.

1. Desprenda con cuidado el bisel del tablero donde se encuentra la palanca de cambios de velocidad y deslicelo hacia la parte trasera del vehículo.

#### Desmontaje del Radio:

Lease las páginas 2-5 para ensamblar el kit de instalación



Para ilustraciones detalladas sobre ensamblar el panel de montaje y el orificio para este vehículo, refiérase a la sección en inglés.

### 1998-04 Dodge Intrepid

### 1998-01 Chrysler LHS 1999-04 Chrysler 300M

3. Quite los cuatro (4) tornillos Phillips del soporte de la radio. Desconéctela y sáquela.
2. Comenzando desde la parte de abajo, extraiga con cuidado los bordes del panel de la radio/aire acondicionado.

1. Usando una herramienta extractora de paneles, extraiga el centricero y la base del centricero con cuidado.

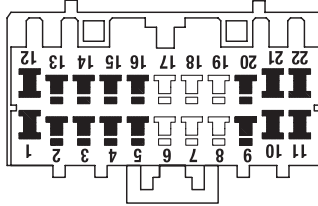
#### Desmontaje del Radio:

Lease las páginas 2-5 para ensamblar el kit de instalación



Para ilustraciones detalladas sobre ensamblar el panel de montaje y el orificio para este vehículo, refiérase a la sección en inglés.

### 2005-07 Chrysler 300 2004-07 Dodge Magnum



15 = Disponible	7 = Izquierdo posterior positivo	1 = +12V Constante, Batería
16 = Disponible	8 = Izquierdo posterior negativo	2 = Avant gauche positif
17 = Disponible	9 = Derecho posterior negativo	3 = Disponible
18 = Derecho frontal positivo	10 = Derecho posterior positivo	4 = Disponible
19 = Derecho frontal negativo	11 = Tierra	5 = Disponible
20 = Izquierdo frontal negativo	12 = +12V Constante, Batería	6 = Disponible
21 = Izquierdo frontal positivo	13 = +12V Contacto encendido	
22 = Tierra	14 = Iluminación/Dimmer	

CONECTOR - ENERGÍA/PARLANTES:

## 2002-UP SELECT CHRYSLER VEHICLES

1 = Derecho posterior negativo	1
2 = Derecho posterior positivo	2
3 = Izquierdo posterior negativo	3
4 = Derecho frontal positivo	4
5 = Izquierdo frontal positivo	5
6 = Derecho posterior positivo	6
7 = Antena eléctrica	7

CONECTOR NEGRO - PARLANTE:



1 = +12V Constante, Batería	1
2 = +12V Contacto encendido	2
3 = Luz de radio	3
4 = Luz de memoria	4
5 = Derecho frontal negativo	5
6 = Izquierdo frontal negativo	6
7 = Disponible	7

CONECTOR GRIS - ENERGÍA/PARLANTES:

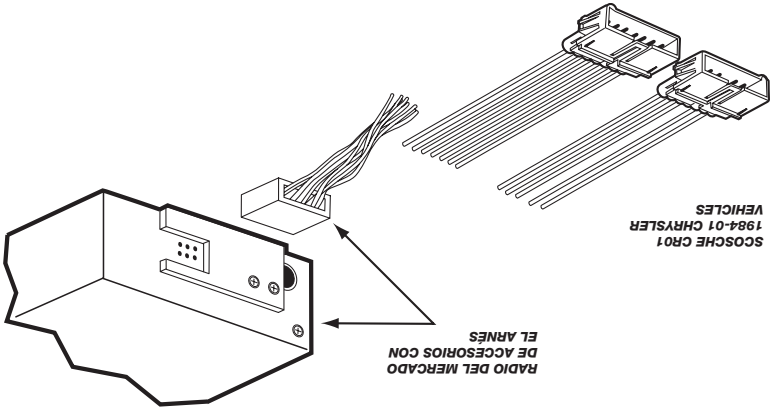
NOTA: • Todos los códigos de los cables se leen mirando al frente del conector con los cables saliendo por atrás.  
• Usar estos códigos de los cables como guía. Su vehículo puede ser diferente.

CR012 1984-2005 Chrysler Vehículos

PIEZA# DESCRIPCIÓN:

NOTA: Se dispone de los siguientes conectores para facilitar la conexión de su nuevo tocasasete o toca discos al arnés de la fábrica:

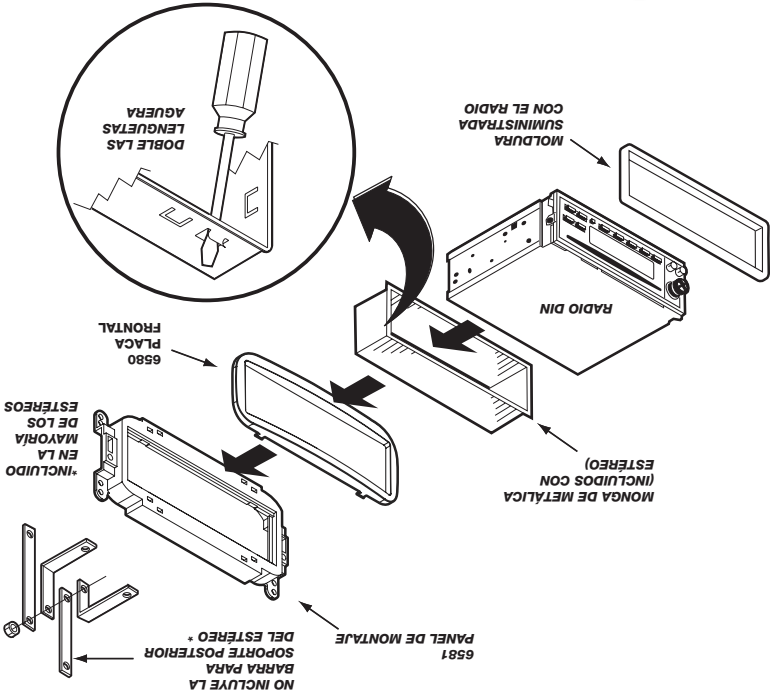
**CÓDIGO DE CABLES DE FÁBRICA**



Haga el cableado de su nuevo estero no original al conector Scosche e instale el equipo Scosche y su nuevo estero en el vehículo. Luego siga el armado del tablero para su vehículo específico al revés para volver a armar su tablero.

**\* NO INCLUIDOS**  
 LE RECOMENDAMOS USAR CONECTORES PARA ESTERO DE AUTOMOVIL MARCA SCOSCHE

**PASO 6 CONECTORES DEL ESTERO DEL AUTOMOVIL\***



**STEP 5 ENSAMBLAJE DEL JUEGO (Continuado)- #6580 PLACA FRONTAL**

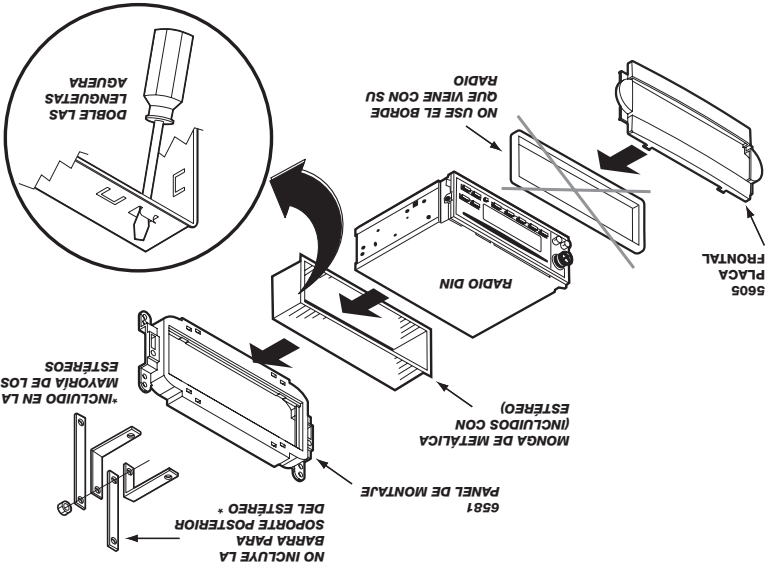
**GUÍA RÁPIDA**

**NOTA:** La manga de montaje deberá quitarse primero del radio! Su radio puede ligarse con sus mangas. Deslice la manga de montaje (cubierta metálica) hacia fuera del radio por la parte trasera.

Deslice la manga de montaje (cubierta metálica) hacia el espacio abierto del radio en el tablero y doble todas las lengüetas de montaje hacia afuera (vea el dibujo). Deslice el radio sobre las mangas de montaje una vez que haya sido asegurado al kit del tablero hasta que el radio se fije en su lugar.

## RADIOS DE CARÁTULA PLANA DIN/ CARATULA SEPARABLE/EXTRAIBLE (DIN-E)

### STEP 5 ENSAMBLAJE DEL JUEGO (Continuado) #6580 PLACA FRONTAL



**NOTA:** La manga de montaje deberá quitarse primero del radio! Su radio puede ligarse con sus mangas. Deslice la manga de montaje (cubierta metálica) hacia fuera del radio por la parte trasera.

Deslice la manga de montaje (cubierta metálica) hacia el espacio abierto del radio en el tablero y doble todas las lengüetas de montaje hacia afuera (vea el dibujo). Deslice el radio sobre las mangas de montaje una vez que haya sido asegurado al kit del tablero hasta que el radio se fije en su lugar.

## RADIOS DE CARÁTULA PLANA DIN/ CARATULA SEPARABLE/EXTRAIBLE (DIN-E)

### STEP 5 ENSAMBLAJE DEL JUEGO - #5605 PLACA FRONTAL

## GUÍA RÁPIDA

## GUÍA RÁPIDA

### PRELIMINAR

ANTES DE COMENZAR - Lea la GUÍA RÁPIDA de las páginas 2-6

**PRECAUCIÓN:** ANTES DE PROCEDER CON LA INSTALACIÓN, DESCONECTE EL CABLE NEGATIVO DE LA BATERÍA PARA PREVENIR CUALQUIER DAÑO AL SISTEMA ELÉCTRICO.



### PASO 1 ESCOJA SU VEHÍCULO

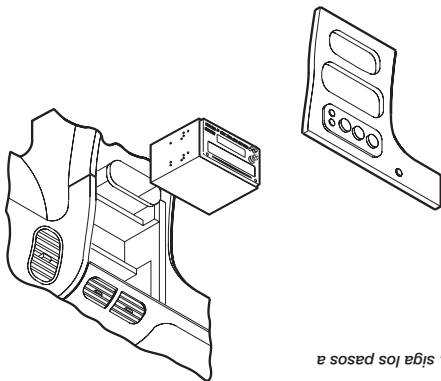
Localice su vehículo en la tapa delantera de estas instrucciones.

### PASO 2 ¿RADIO ORIGINAL?

¿Su vehículo viene con una radio instalada de fábrica? Si contesta Sí, vaya al **PASO 3**

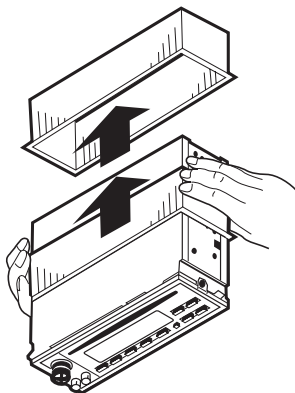
Si contesta NO, vaya al **PASO 4**

### PASO 3 REMOCIÓN DE LAS ABRAZADERAS DE MONTAJE EN FÁBRICA



Para desmontar el radio de fábrica, siga los pasos a continuación.

### PASO 4 ENSAMBLE DEL RADIO



#### SAQUE EL BORDE DEL ESTÉREO:


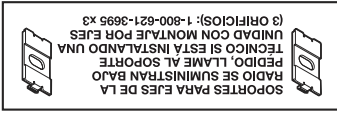
1. Localice el mecanismo de traba en el borde de su radio DIN (típicamente) en el costado.
2. Deslice el borde de montaje hacia la parte de atrás del estereo y sáquelo.

**\* NOTA:**  
LENGÜETAS RÁPIDAS DEL MONTAJE DEL EJE NO INCLUIDAS. SI ESTÁ REQUERIDO PARA SU INSTALACIÓN ESTÉREA, LLÁME 800-621-3695 X3 PARA EL ENVÍO INMEDIATO.

**!IMPORTANTE!** No devuelva este producto al establecimiento donde lo compró!  
**SI NECESITA ASISTENCIA O REPUESTOS**  
**PRIMERO Llámenos al...**  
**1-800-621-3695 ext 3**  
**Llamadas gratis, no se cobra por la asistencia técnica**

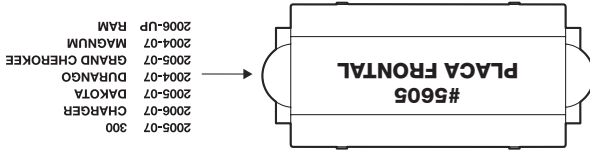
● Técnicos de servicio técnico amigables  
 ● No tendrá que esperar más de 5 minutos

**NUESTRAS HORAS DE ATENCIÓN SON:**  
 Lunes a Viernes 8:00 a.m. a 5:30 p.m. (Hora del Pacífico)  
 Sábados 8:00 a.m. to 2:00 p.m. (Hora del Pacífico)

PARA TODOS LOS VEHÍCULOS  
 PANEL DE MONTAJE PRINCIPAL NECESARIO

1999-04	300M
2001-07	CARAVAN
1998-04	CONCORDE
2001-04	DAKOTA
2000-03	DURANGO
1999-04	GRAND
2000-03	EXTRA CAB
2001-05	RAM
2002-05	RAM
2001-05	PT CRUISER
2002-UP	LIBERTY
2000-05	NEON
2001	VOYAGER
2001-05	COUNTRY
2001-06	TOWN & STRATUS
2001-06	SEBRING SEDAN
2001-05	SEBRING COUPE
2001-05	SEBRING CONV.



Las instrucciones para cada vehículo le indican cual tablero de montaje y abrazaderas a utilizar. Cada pieza se identifica claramente al reverso.

## ENSAMBLAJE DEL JUEGO

- 2 Anillos de Moldura
  - 1 Panel de Montaje
- El juego incluye:

## LISTA PRELIMINAR DE PARTES

El juego Scosche para instalación en el Tablero para vehículos Chrysler y Jeep a partir de 1998 en adelante incluye todas las piezas necesarias para instalar el tocadiscos estéreo en el tablero del vehículo. Referirse a las instrucciones individuales en este manual para retirar el radio de fábrica instalado en su vehículo.

## INTRODUCCIÓN

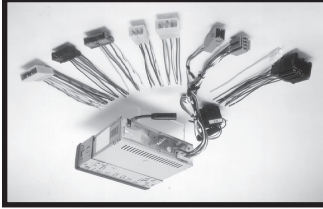
## GUÍA RÁPIDA



**JUEGO DE INSTALACIÓN EN EL TABLERO PARA VEHÍCULOS DE CHRYSLER Y JEEP 1998 EN ADELANTE**  
**INSTRUCCIONES DE INSTALACIÓN**

<b>CHRYSLER</b>	<b>PAGE</b>	<b>DODGE (CONT'D)</b>	<b>PAGE</b>
2005-07 300 .....	6	2000-05 NEON .....	8
1999-04 300M .....	6	2006-UP RAM .....	8
1998-01 LHS .....	6	2002-05 RAM .....	8
1998-04 CONCORDE .....	6	2001-06 STRATUS .....	8
2001-05 PT CRUISER .....	7	<b>JEEP</b>	
2001-06 SEBRING CONV. .....	7	2005-07 GRAND CHEROKEE .....	8
2001-05 SEBRING COUPE .....	7	1999-04 GRAND CHEROKEE .....	8
2001-06 SEBRING SEDAN .....	7	2002-UP LIBERTY .....	8
2001-07 TOWN & COUNTRY .....	7	<b>PLYMOUTH</b>	
2001-07 CARAVAN .....	7	2000 NEON .....	8
2006-07 CHARGER .....	7	2001 VOYAGER .....	7
2005-07 DAKOTA .....	7		
2001-04 DAKOTA EXTRA CAB .....	7		
2004-07 DURANGO .....	7		
2000-03 DURANGO .....	7		
1998-04 INTREPID .....	6		
2004-07 MAGNUM .....	6		

**CONECTORES DEL ESTEREO DEL AUTOMÓVIL**  
**PROPORCIONA LA CONEXIÓN SENCILLA DE SU ESTEREO AL ARNES DE CABLES DE FABRICA.**  
**CRO12**  
 1984-up Chrysler vehícles car stereo connector  
**CROSSR**  
 2005-up select Chrysler, Dodge, Jeep radio replacement interface



**DESLINDE DE RESPONSABILIDAD**  
 Este manual de instrucciones está basado en información y estudios cuidadosamente documentados sobre el desmontaje de los paneles de instrumentos, arneses y códigos de cables e información pertinente a la instalación de este juego (#CJ2086) en los vehículos Chrysler y Jeep a partir de 1998 en adelante. Scosche Industries Inc. no puede ser responsable por discrepancias o inconsistencias debido a cambios u opciones que pueda hacer el fabricante del vehículo, ni por daños que pudieran ocurrirle al automóvil durante la instalación de componentes debido al uso de este manual.