

TUNERS / CASSETTE / DISC PLAYERS						RADIO EQ STACK
	MINI	STAN	DIN	ISO DIN	SINGLE DBL DIN	
CHASSIS H	1 $\frac{1}{4}$ -2	2	2	2	3 $\frac{7}{8}$	3
CHASSIS W	7 $\frac{1}{8}$	7 $\frac{1}{8}$	7 $\frac{1}{8}$	7	7 $\frac{1}{8}$	7 $\frac{1}{8}$
CHASSIS D	4 $\frac{3}{4}$ -5 $\frac{1}{2}$	5 $\frac{7}{8}$ -6 $\frac{11}{16}$	5 $\frac{7}{8}$ -6 $\frac{11}{16}$	5 $\frac{7}{8}$ -6 $\frac{11}{16}$	5 $\frac{7}{8}$ -6 $\frac{11}{16}$	5 $\frac{7}{8}$ -6 $\frac{11}{16}$
NOSE H	1 $\frac{5}{8}$ -1 $\frac{3}{4}$	1 $\frac{5}{8}$ -1 $\frac{3}{4}$	2 $\frac{3}{8}$	1 $\frac{3}{16}$	3 $\frac{3}{4}$ -4	
NOSE W	4 $\frac{1}{8}$ -4 $\frac{3}{16}$	4 $\frac{1}{8}$ -4 $\frac{3}{16}$	7 $\frac{1}{2}$	6 $\frac{11}{16}$	6 $\frac{11}{16}$ -7 $\frac{1}{4}$	
SHAFT SP.	5 $\frac{1}{2}$ -5 $\frac{3}{4}$	5 $\frac{1}{2}$ -6				

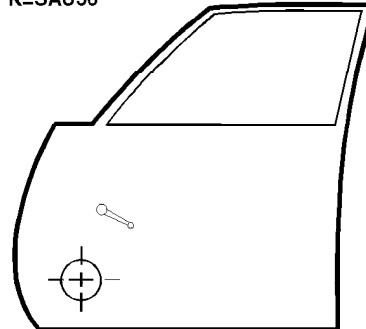
UPDATED THROUGH
'97
'98
'99
'2000

CHEVROLET 1996-UP ASTRO

Minivan

FRONT DOORS

Factory Provisions: GM 7" 4-Hole Pin Cushion.
Aftermarker: 5 $\frac{1}{4}$ "K, 6 $\frac{1}{2}$ "K
K=SAU56



CAVITY W H D
5 $\frac{3}{4}$ x 5 $\frac{3}{4}$ x 2 $\frac{3}{8}$ " *

* Depth to back of factory adapter. An additional 2" is available to door glass.

APPLICATION KIT MODEL: GM1483/1484(EQ)	
HARNESS ADAPTOR: GM02	ANTENNA ADAPTOR: MDA-1

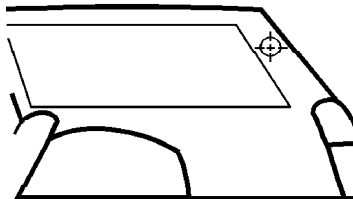
IN-DASH INSTALLATION AREA DIMENSIONS				
	DEPTH	MAX DEPTH	WIDTH	HEIGHT
CAVITY	7 $\frac{1}{2}$ "	7 $\frac{1}{2}$ "	8 $\frac{11}{16}$ "	4 $\frac{1}{8}$ "
DASH OPENING	TYPE: M2000		7 $\frac{1}{8}$ "	3 $\frac{1}{4}$ "
DASH MATERIAL: PLASTIC			THICKNESS: 1 $\frac{1}{8}$ "	
FOR MAX DEPTH	<input type="checkbox"/> REMOVE REAR SUPPORT <input type="checkbox"/> MODIFY CAVITY			

AMPLIFIER/EQ MOUNTING LOCATIONS (WxHxD)			
UNDER/IN DASH POCKET	UNDER SEAT	GLOVE BOX	TRUNK/CARGO
6 x 1 $\frac{3}{4}$ x 5 $\frac{1}{8}$ "			

Dimensions shown are inches.
For inch/mm conversions refer to chart section.

REAR PILLAR - VAN

Factory Provisions: 4 x 6"
Aftermarket: 3 $\frac{1}{2}$ "K, 4"K, 4 x 6"

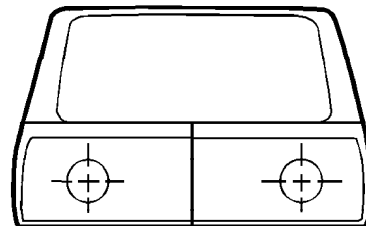


CAVITY W H D
9 $\frac{1}{16}$ x 5 $\frac{1}{2}$ x 1 $\frac{1}{2}$ " *

* Driver's side depth limited by airduct.

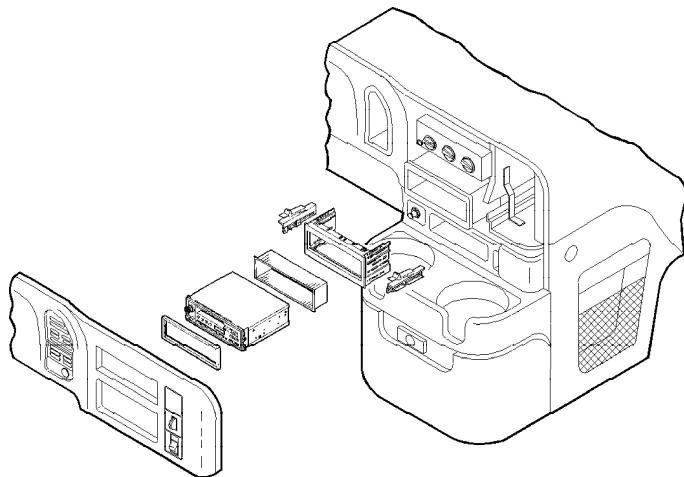
TAILGATE DOOR - VAN

Factory Provisions: GM 7" 4-hole pin cushion.
Aftermarket: 5 $\frac{1}{4}$ "K, 6 $\frac{1}{2}$ "K
K=SAU56



CAVITY W H D
5 $\frac{1}{8}$ x 5 $\frac{1}{8}$ x 2 $\frac{1}{8}$ "

NOTE: THIS MANUAL IS BASED ON CAREFULLY DOCUMENTED RESEARCH. ABSOLUTE ACCURACY IS ATTEMPTED BUT NOT GUARANTEED. USE THIS MANUAL AS A REFERENCE GUIDE. SCOSCHE, INC. CANNOT BE RESPONSIBLE FOR INCONSISTENCIES THAT MAY OCCUR.



- B = BACK UP PLATES REQUIRED.
- C¹ = CUT TRIM/PLASTIC (STRUCTURE).
- C² = CUT STEEL.
- D = BELOW DECK ONLY.
- D¹ = LIFT PORTION OF DECK. (MAY REQUIRE STRUCTURAL REINFORCEMENT).
- D² = CUT STEEL WHEN TOP MOUNTED. DO NOT IF BELOW DECK.
- D³ = NARROW SURFACE, BELOW DECK ONLY.
- F¹ = MINIMUM MODIFICATION FILE SHAFT HOLES OR DASH OPENING.
- F² = MODIFY DASH CAVITY AND/OR PANEL.
- K = INSTALLATION KIT, SPACER OR ADAPTOR REQUIRED.
- K¹ = KIT MODIFICATIONS REQUIRED.
- K² = EXTENSION KIT RECOMMENDED.
- K³ = WHEN EQUIPPED WITH FACTORY "ELECTRONIC" RADIO.
- K⁴ = FABRICATE PANEL/BRACKETS.

- K⁵ = WHEN EQUIPPED WITH STANDARD TWO SHAFT RADIO/TAPE PLAYER. FABRICATE KIT WHEN EQUIPPED WITH FLAT FACE ELECTRONIC RADIO/TAPE PLAYER.
- K^S = SCOSCHE KIT RECOMMENDED.
- N = NOT RECOMMENDED. EXTENSIVE MODIFICATION REQUIRED.
- P = PERFECT WITHOUT MODIFICATION.
- P¹ = MODIFY OR REMOVE POCKETS.
- P² = COIN POCKET LOCATION IN DASH (MAY REQUIRE TRIM KIT).
- P³ = PERFECT WHEN EQUIPPED WITH STANDARD TWO SHAFT RADIO, K WITHOUT.
- R = REAR LOAD ISOMOUNT.
- U = UNDERDASH.
- W¹ = WITH POWER WINDOWS ONLY.
- W² = WITHOUT POWER WINDOWS ONLY.

1996-UP CHEVROLET ASTRO VAN MINIVAN



DASH WITH GM1483 KIT INSTALLED.

PRELIMINARY: DISCONNECT THE NEGATIVE BATTERY CABLE.

ANTENNA: THE FACTORY ANTENNA IS LOCATED ABOVE THE RIGHT FRONT FENDER IN THE COWL AT THE BASE OF THE FRONT WINDSHIELD.

RADIO REMOVAL AND IN-DASH INSTALLATION:

NOTE: THE FACTORY RADIO PROVISION IS FOR A M2000 CHASSIS RADIO. AN INSTALLATION KIT IS REQUIRED FOR ALL AFTERMARKET INSTALLATIONS. A SPECIFIC KIT IS REQUIRED FOR THIS INSTALLATION, THE GM1483 KIT.

1. EXTRACT (2) T-30 TORX BOLTS, ONE FROM EACH SIDE OF THE TOP CONSOLE AREA AND POP OUT THE TOP HALF OF THE CENTER CONSOLE ASSEMBLY.
2. EXTRACT (2) 9/32" HEX SCREWS FROM THE BOTTOM EDGE OF THE DRIVER'S SIDE UNDER DASH PANEL AND (1) SCREW FROM LEFT DASH BELOW DEFROSTER VENT.
3. CAREFULLY PRY UNDERDASH PANEL OUT TO RELEASE. USE CAUTION WHEN HANDLING PARKING BRAKE RELEASE CABLE.
4. INSERT KEY INTO "ON", ADJUST SHIFTER DOWN (LOW GEAR), PULL OUTWARD ON THE INSTRUMENT/RADIO PANEL TO RELEASE CLIPS. UNPLUG SWITCHES, AND REMOVE PANEL.
5. PUSH DOWN ON SIDE TABS SECURING RADIO, SLIDE OUT OF DASH, UNPLUG, AND REMOVE RADIO.

FRONT DOOR SPEAKER INSTALLATION:

NOTE: THE FACTORY PROVISION IS FOR A GM 7" 4-HOLE PIN CUSHION SPEAKER. SPEAKER ADAPTERS ARE RECOMMENDED FOR AFTERMARKET 5 1/4" AND 6 1/2" SPEAKER INSTALLATIONS, WE RECOMMENDED THE SCOSCHE SAU56. ON UPGRADE SYSTEMS THERE IS A 1" TWEETER SNAPPED INTO THE UPPER DOOR PANEL BELOW LOCK/WINDOW SWITCHES.

1. EXTRACT (1) SCREW FROM BELOW FACTORY TWEETER LOCATION.
2. REMOVE (2) COVER CAPS FROM DOOR HANDLE, EXTRACT T-30 TORX SCREWS FROM EACH LOCATION, AND REMOVE THE HANDLE.
3. REMOVE DOOR RELEASE HANDLE PLASTIC CUP.
4. POP OUT MIRROR/WINDOW CONTROL PANEL UNPLUG AND REMOVE. (POWER MODELS)
5. UNSNAP INSIDE MIRROR COVER TRIANGLE.
6. USING A PANEL REMOVAL TOOL UNSNAP FASTENERS AROUND SIDES AND BOTTOM OF DOOR PANEL.
7. EXTRACT (4) SCREWS HOLDING SPEAKER, UNPLUG AND REMOVE.

REAR SIDE PILLAR SPEAKER INSTALLATION:

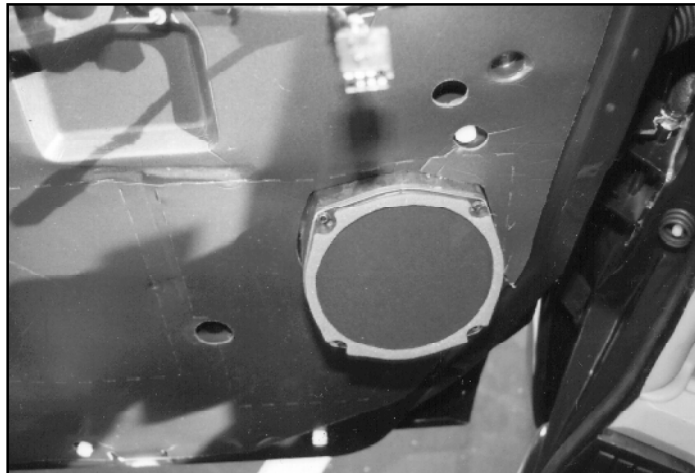
NOTE: THE FACTORY PROVISIONS ARE FOR 4 X 6" SPEAKERS. DRIVER'S SIDE DEPTH IS VERY LIMITED DUE TO PLASTIC AIR DUCT FOR REAR CEILING A/C VENTS.

1. CAREFULLY UNHOOK METAL MESH GRILLE FROM SIDES.
2. EXTRACT (4) 9/32" SCREWS HOLDING SPEAKER, UNPLUG AND REMOVE.

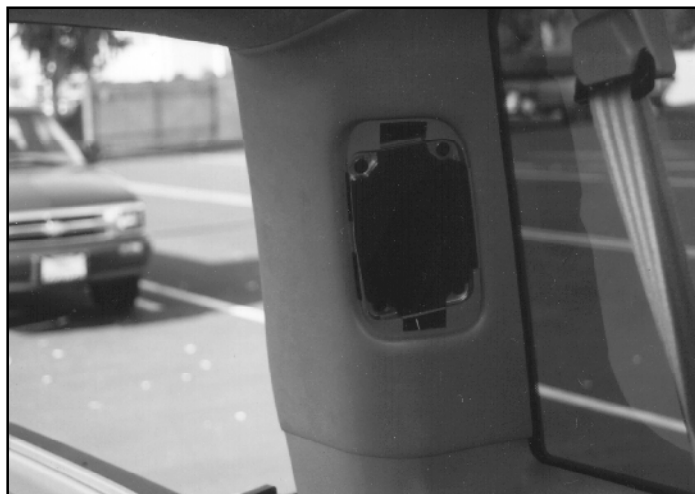
REAR TAILGATE DOOR SPEAKER INSTALLATION:

NOTE: THE FACTORY RADIO PROVISION IS FOR A GM 7" 4-HOLE PIN CUSHION SPEAKER, WHICH IS RIVETED IN PLACE. SPEAKER ADAPTERS ARE RECOMMENDED FOR AFTERMARKET 5 1/4" AND 6 1/2" SPEAKER INSTALLATIONS, WE RECOMMENDED THE SCOSCHE SAU56.

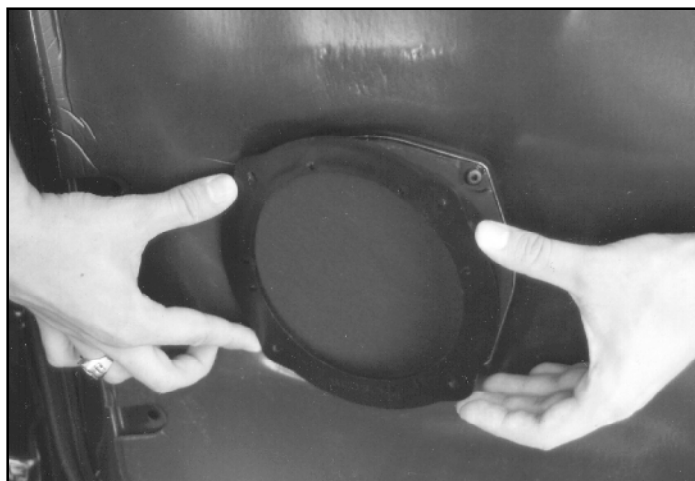
1. CAREFULLY POP OUT SPEAKER GRILL.
2. DRILL OUT (4) RIVETS HOLDING SPEAKER, UNPLUG, AND REMOVE.



FRONT DOOR 7" 4-HOLE GM STYLE SPEAKER PROVISION.



REAR PILLAR 4 x 6" PROVISION.



REAR TAILGATE 7" 4-HOLE GM STYLE SPEAKER PROVISION.