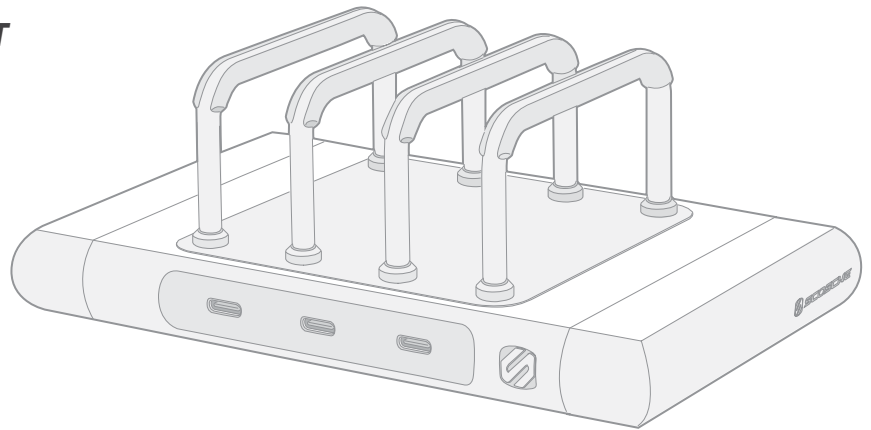




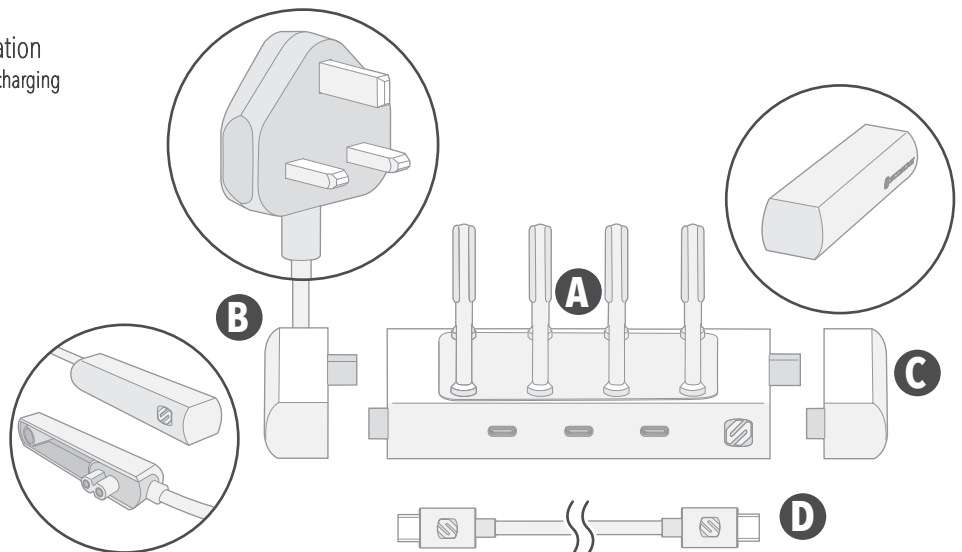
# BASELYNX™ 2.0 VERT

Vertical Multi-Device  
Charging Station



## INCLUDED ELEMENTS

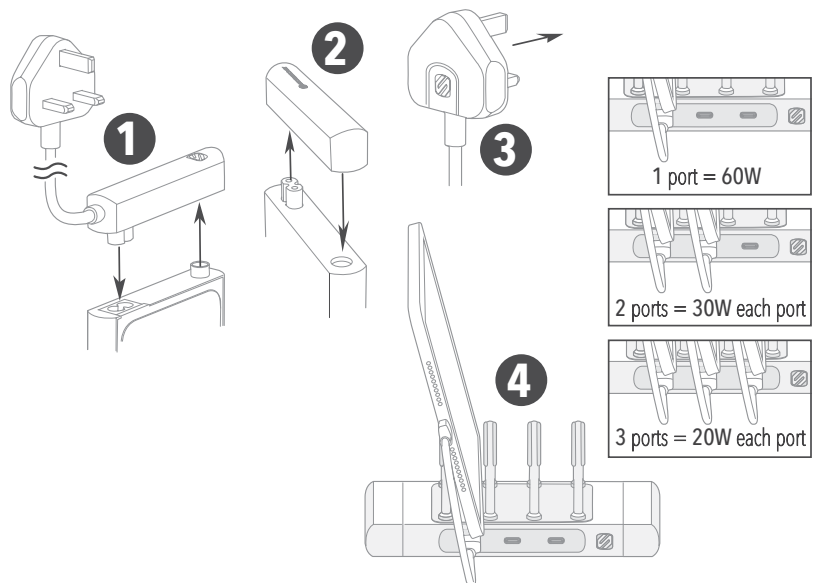
- A. Vertical Multi-Device Charging Station
  - Vertically stores iPads and other devices during charging
- B. Protective End Cap with Integrated AC Power Cord
- C. Protective End Cap
- D. USB-C to USB-C Cable (1 ft.)



## DEVICE SETUP

1. Place the power cord end cap on the charger module.
2. Place the other end cap on the charger module.
3. Plug the power cord into a wall socket.
4. Place tablets, phones, small laptops, or other devices in the padded bars on the 3-port charging station. Connect using an appropriate USB cable.

**Note:** 60W power shared between all ports.  
Output depends on number of ports used (see insets).



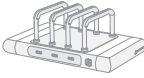




# BASELYNX POINT SYSTEM

If you decide to expand your charging station with more Baselynx 2.0 modules just follow the simple point system to safely build your ultimate charging station.

Each Baselynx module has a predetermined point value as shown in the chart below. To ensure safe and dependable operation do not exceed 15 points.

(Note: The Baselynx 2.0 Vert is 5 points)

For questions regarding different configuration options and other product support, contact Scosche Customer Service at (800) 363-4490 ext. 1 or [customerservice@scosche.com](mailto:customerservice@scosche.com).

Part No.	BL2MDP	BL2MSiQ	BL2AW	BL2PEAC
Module	 Baselynx 2.0 Vert	 Baselynx 2.0 2-in-1 Stand	 Baselynx 2.0 Watch	 Baselynx 2.0 End Cap
Point Value	<b>5</b>	<b>2</b>	<b>1</b>	<b>0</b>
Configuration Example	 <b>0 + 5 + 2 + 1 + 5 + 2 = 15 Points</b>			

## NOTES

- If the device's battery is fully discharged it may take a few minutes for it to show that it is charging.
- Devices and Baselynx 2.0 modules may get warm during charging. This is completely normal, and they will gradually cool down after they are fully charged.
- Charging time may vary based on the device's battery capacity, charge level, the condition of the battery and the temperature in the surrounding area.
  - To clean your Baselynx, disconnect it from power and wipe with a slightly damp cloth.

## WARNINGS

- For indoor use in dry locations only.
  - Children should be supervised when using this product.
  - Do not operate if any part of product appears to be damaged.
- Do not attempt to service. Opening housings will expose you to dangerous voltage and risk of electrical shock.

## SPECIFICATIONS

AC Input: 100-240V~50/60Hz, 2.5A      AC Output: 100-240V~50/60Hz, 1.5A  
 USB-C Output (per port): 5V---3A, 15W / 9V---3A, 27W / 12V---3A, 36W / 15V---3A, 45W / 20V---3.35A, 60W/  
 PPS 1: 3.3-16V---3A max., 45W max. / PPS 2: 3.3-21V---3A max., 60W max.  
 Total Output: 60W max.



Scosche Industries  
 1550 Pacific Avenue  
 Oxnard, California 93033  
 Phone: 800-363-4490 x1 / 805-486-4450 x1  
[www.scosche.com](http://www.scosche.com)  
 ©2023 Scosche Industries

Scosche & Baselynx are trademarks of Scosche Industries.  
 Other marks or brands are the property of their respective owners.  
 Devices and or appearance may vary.

Designed in Oxnard, California

SI BL2MDPUKW-AP0 11/23