

RADIO REMOVAL

2003-Up Cadillac CTS / 2004-Up Cadillac SRX

Radio Removal

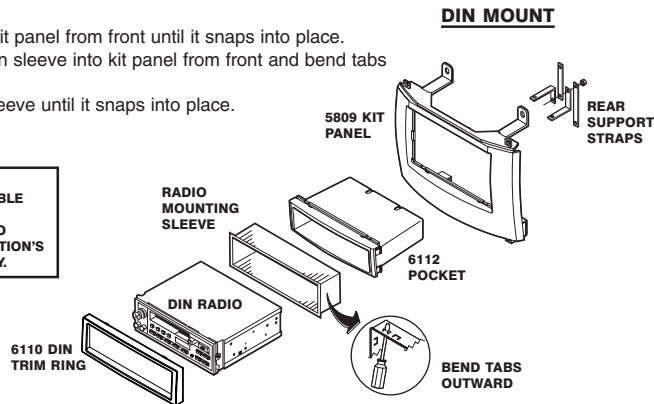
1. Using a panel removal tool, remove the top A/C vents panel.
2. Open the ash tray and remove the tray. Extract (1) 9/32" bolt in tray cavity.
3. Using a panel removal tool, remove the A/C control Panel.
4. Extract (4) 10mm bolts securing the radio to the dash. Disconnect and remove.

MOUNTING THE RADIO

DIN MOUNT

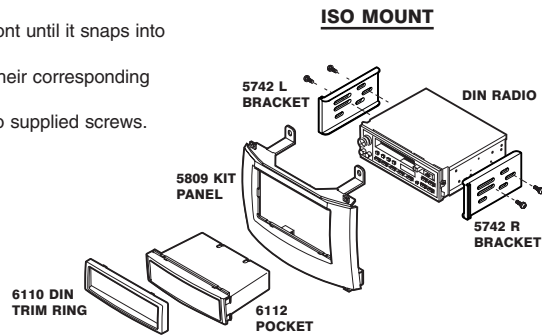
1. Slide pocket into kit panel from front until it snaps into place.
2. Next, slide DIN can sleeve into kit panel from front and bend tabs to hold into place.
3. Insert radio into sleeve until it snaps into place.

NOTE:
REAR SUPPORT AVAILABLE SEPARATELY. REAR SUPPORTING THE RADIO ADDS TO THE INSTALLATION'S STRUCTURAL INTEGRITY.



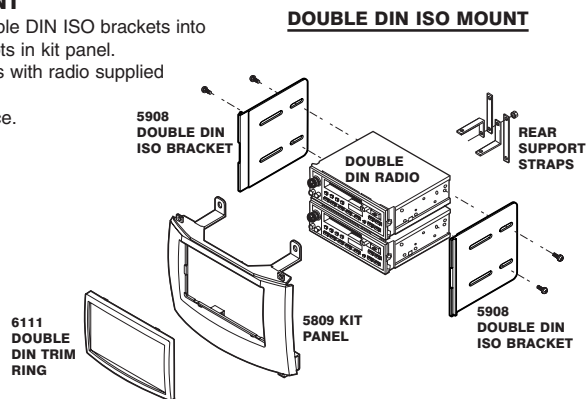
ISO MOUNT

1. Slide pocket into kit panel from front until it snaps into place.
2. Slide left and right brackets into their corresponding slots in kit panel.
3. Mount radio to brackets with radio supplied screws.
4. Snap trim ring into place.



DOUBLE DIN ISO MOUNT

1. Slide left and right double DIN ISO brackets into their corresponding slots in kit panel.
2. Mount radio to brackets with radio supplied screws.
3. Snap trim ring into place.

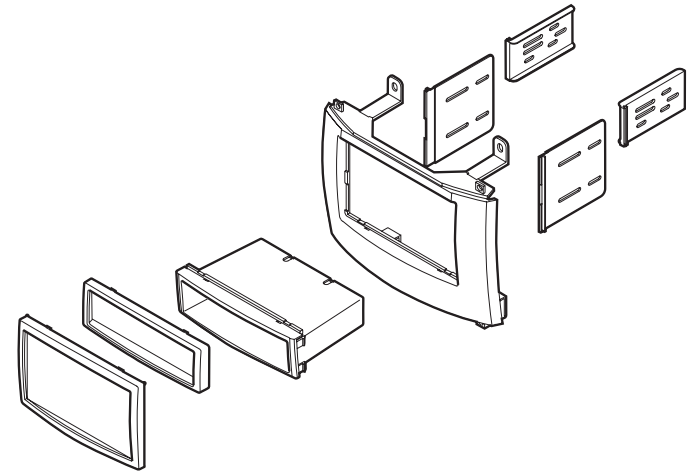


2

SCOSCHE®

GM1586B

IN-DASH INSTALLATION KIT FOR 2003-UP CADILLAC CTS / 2004-UP CADILLAC SRX VEHICLES



INTRODUCTION / PRELIMINARY

This premium installation kit is for 2003-Up Cadillac CTS and 2004-Up Cadillac SRX vehicles. Included are all the parts you need to mount your car stereo/cassette or CD player into your vehicle's dash. Refer to the individual instruction in this manual to remove your vehicle's factory radio and assemble the kit.

CAUTION: DISCONNECT YOUR VEHICLE'S NEGATIVE BATTERY TERMINAL BEFORE THE INSTALLATION TO HELP PREVENT ELECTRICAL DAMAGE. WE RECOMMEND THE USE OF A VOLT/OHM METER OVER A TEST LIGHT TO CHECK WIRING. A TEST LIGHT OR GROUNDED WIRE PROBE CAN CAUSE DAMAGE TO THE VEHICLE'S COMPUTER AND/OR DIAGNOSTIC SYSTEMS. AVOID ALL FACTORY AIR BAG WIRING - AIR BAGS CAN ACCIDENTALLY DEPLOY CAUSING SERIOUS INJURY OR DEATH.

NOTES:

- See your vehicle's instructions for any special tools your installation might require.
- Read all instructions accompanying your car stereo/cassette player for proper wiring and mounting instructions.

FACTORY WIRING CODES

CAR STEREO CONNECTORS

PROVIDE EASY CONNECTION OF YOUR CAR STEREO TO FACTORY WIRING HARNESS.

TECH HELP
DCGM205RB

PHOTO WILL BE
AVAILABLE AT A
LATER DATE
1-800-821-695x3

LIABILITY DISCLAIMER

This instruction booklet is based on carefully documented data and research of automobile dash disassembly, wire harness/codes and information pertaining to installation of this kit in the listed vehicles. Manufacturer cannot be held responsible for discrepancies/inconsistencies that may occur due to the automobile manufacturing changes or options, or damage that may occur in the automobile during the installation of components while using this booklet.

If you have any further questions call:

©2006 SCOSCHE INDUSTRIES, INC.

SI 10/06 GM1586B (3000003)