

1995-99 Chevrolet Cavalier/Convertible

RADIO REMOVAL:

1. Extract (1) screw from the front center defroster vent on top of the dashboard.
2. Using a panel removal tool carefully snap out the vent and remove it.
3. Extract (1) 7mm hex head screw from under defrost vent.
4. Using a panel removal tool remove the left dash side panel surrounding the fuse block opening and remove (1) 7mm screw from that location.
5. Using a panel removal tool release the panel at the right side of the dash and remove (1) 7mm screw behind.
6. Open glove box , extract (3) screws holding the front edge of the dash panel.
7. Extract (2) brass 7mm screws from access hole in the roof of glove box securing metal bracket.
8. Carefully release fastening clips securing the top of the dash panel above the instrument cluster, lift the panel up and away to remove.

CAUTION!:

Passenger airbag cover is attached to the dash panel and will come off with the panel.

USE EXTREME CARE WHEN WORKING AROUND THE INNER AIRBAG SKIN!

9. Extract (3) 7mm screws from the radio trim bezel and use a panel removal tool to release the snap clips around the radio and steering column.
10. Unplug bezel and remove now.
11. Extract (2) screws holding radio in, unplug and remove radio.

1997-00 Chevrolet Malibu

RADIO REMOVAL:

1. Carefully pop out plastic collar around ignition key and remove.
2. Carefully pop out radio trim, unplug lighter and remove.
3. Extract (2) 7mm screws holding radio in, unplug all connectors and remove radio.

1995-99 Chevrolet Monte Carlo

RADIO REMOVAL:

1. Remove (4) T-15 Torx screws from the driver's lower knee bolster.
2. Pull on radio dash bezel to release spring clips and remove.
3. Extract (2) 7mm screws holding radio, unplug and remove radio.

1997-99 Chevrolet Venture

1997-99 Pontiac Trans Sport

1997-99 Oldsmobile Silhouette

RADIO REMOVAL:

1. Open ashtray and extract (1) from lower right side of dash bezel.
2. Open 12V socket cover and extract (1) from lower left dash bezel.
3. Lift bottom of dash bezel out to allow top edge to unhook from under air vents, unplug lighter, switches and remove dash.
4. Extract (2) 7mm Hex head screws holding radio in, unplug connectors, and remove radio.

1998-01 Chevrolet S10 Pickup/Blazer

1998-00 Isuzu Hombre

1998-01 GMC Jimmy Blazer

1998-01 Oldsmobile Bravada

1998-01 GMC Sonoma Pickup

RADIO REMOVAL:

1. Extract the (2) screws securing the top area of the driver's side underdash cover panel.
2. Pull the driver's side underdash down to access and extract (2) 7MM hex screws holding the bottom of the dash bezel.
3. Extract the screw located in the top edge of the dash panel at the instrument cluster.
4. Carefully pry out on the dash bezel to release the fastening clips securing the bezel to the dash and unplug headlight / misc. switches on the driver's (left) of the bezel.

CAUTION:

AT THIS POINT, TAKE CARE AROUND THE HAZARD SWITCH, BY TILTING THE WHEEL DOWN AND/OR DEPRESSING THE SWITCH SO THE PANEL WILL CLEAR. ALSO TAKE CARE TO SNAP THE PASSENGER AIR BAG SWITCH FROM THE DASH PANEL AND PUSH IT BACK THROUGH ITS OWN HOLE RATHER THAN UNPLUGGING THE SWITCH. IT IS A COSTLY REPAIR BILL IN EXCESS OF \$400.00 TO REPLACE THE HAZARD SWITCH.

5. Remove the dash bezel from the vehicle.

1994-UP SELECT CHEVROLET/GMC/ISUZU/OLDSMOBILE AND PONTIAC VEHICLES

CHEVROLET

- 1997-UP Camaro
- 1994-96 Caprice Classic
- 1995-99 Cavalier/Convertible

1997-00 Malibu

1995-99 Monte Carlo

1998-01 S10 Pickup/Blazer

1997-99 Venture

GMC

1998-01 Jimmy Blazer

1998-01 Sonoma Pickup

ISUZU

1998-00 Hombre

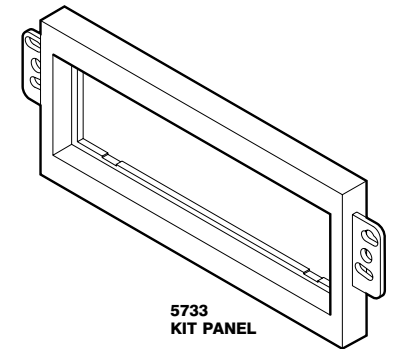
OLDSMOBILE

1998-01 Bravada

1997-99 Silhouette

PONTIAC

1997-99 Trans Sport



5733
KIT PANEL

1997-UP Chevrolet Camaro

RADIO REMOVAL:

1. Carefully pry out on the radio trim bezel, to release snap clips.
2. Unplug bezel and remove.
3. Extract (2) 7mm hex head screws holding radio, unplug, and remove radio.

1994-96 Chevrolet Caprice Classic

RADIO REMOVAL:

1. Remove fuse panel on left side of dash.
2. Extract (1) 9/32" screw behind fuse panel.
3. Extract (2) 9/32" screws from the under dash panel on the driver's side. (Not the black wiring access panel).
4. Extract (2) 9/32" screws from below the ash tray.
5. Extract (2) 9/32" screws from the top of the instrument panel bezel.
6. Make sure the parking brake is on, then insert the key and turn to the "on" position.
7. Put the vehicle into first or low gear, and tilt the steering column adjustment all the way down and pull outward on the instrument panel bezel. There are (2) spring clips on the bottom, release and remove.
8. Extract (4) 9/32" screws holding the ash tray, remove ash tray, unplug connector for light.
9. Extract (1) 9/32" screw from upper right side of ash tray cavity.
10. Open glove box.
11. Starting from the left side of the dash, working below the steering column, pull gently outward to start releasing spring clips.
12. Work all the way across the dash piece there are about (8) spring clips total. The last one will pop out near the glove box. Remove dash.
13. Extract (2) 9/32" screws holding radio, slide radio out.
14. Unplug all connectors, antenna and remove radio.

FACTORY WIRE CODES

For Factory Wiring Codes go to: www.scosche-cars.com

LIABILITY DISCLAIMER

This instruction booklet is based on carefully documented data and research of automobile dash disassembly, wire harness/codes and information pertaining to installation of this kit (#GM1588) in 1994-UP Select GM Vehicles. Scosche Industries, Inc. can not be held responsible for discrepancies/inconsistencies that may occur due to the automobile manufacturing changes or options, or damage that may occur in the automobile during the installation of components while using this booklet.

If you have any further questions, call:

TECH HELP 1-800-621-3695 x3