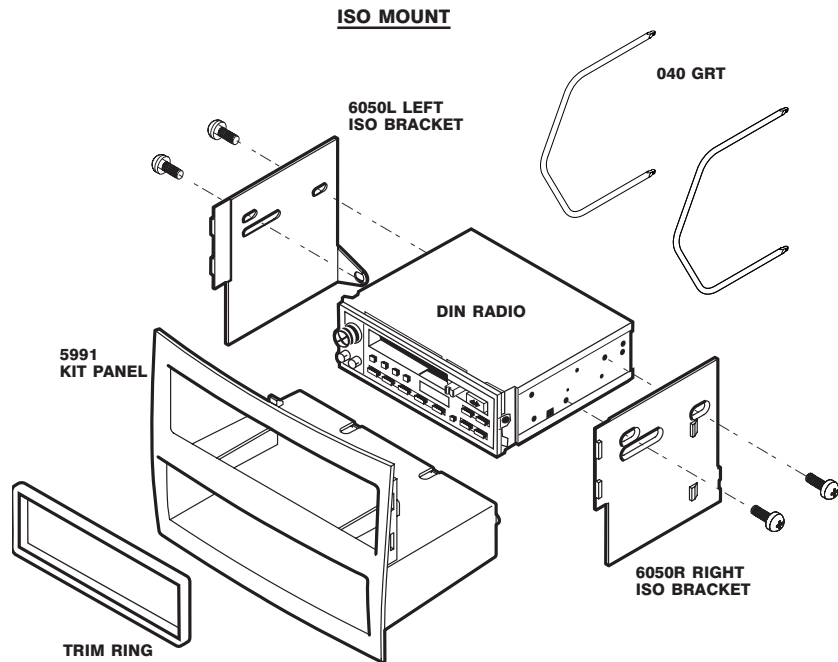


MOUNTING THE RADIO

ISO MOUNT

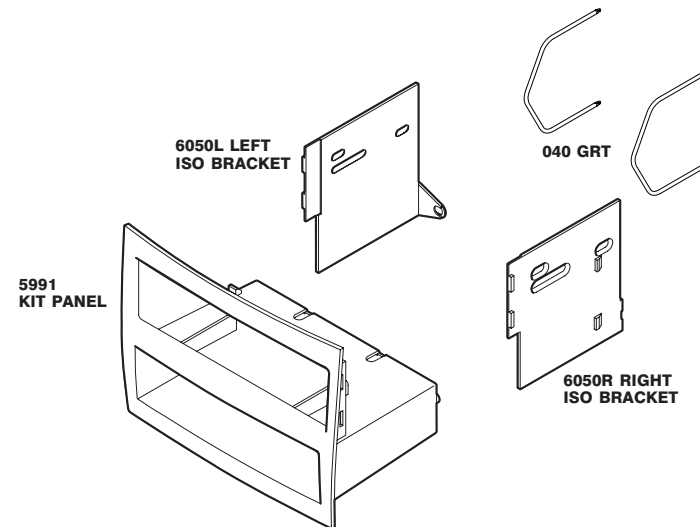
1. Slide left and right brackets into slots found on either side of the kit.
2. Slide radio into ISO brackets and screw into place with radio supplied screws.



SCOSCHE

GM1596

IN-DASH INSTALLATION KIT FOR 2004-06 PONTIAC GTO VEHICLES



FACTORY WIRING CODES

CAR STEREO CONNECTORS

PROVIDE EASY CONNECTION OF YOUR CAR STEREO TO FACTORY WIRING HARNESS.

VW01B

1986-Up Volkswagen

VWAB

VW/European
Antenna Converter

VW01B



VWAB



RADIO REMOVAL

2004 -06 Pontiac GTO

RADIO REMOVAL:

For aftermarket radio removal.

1. Insert radio removal tool (040 GRT) and pull out radio.
2. Remove (1) Phillips head screws underneath dash pocket.
3. Lift center console lid. Beginning at the back of the center console unsnap center console bezel working your way up to the front towards the dash.
4. Pull back on bezel, lift up, disconnect and remove.
5. Remove (2) Phillips screws from the bottom edge of the radio trim.
6. Pry up on trim plate above center vents to release clips and remove panel.
7. Remove (4) Phillips screws exposed by removal of trim panel.
8. Remove (2) Phillips screws on bottom edge of the metal DIN cage.
9. Pull cage out, disconnect harnesses and remove cage.

INTRODUCTION / PRELIMINARY

This premium installation kit is for the 2004-06 Pontiac GTO vehicles. Included are all the parts you need to mount your car stereo, cassette or CD player into your vehicles's dash. Refer to the individual instruction in this manual to remove you vehicle's factory radio and assemble the kit.

CAUTION: DISCONNECT YOUR VEHICLE'S NEGATIVE BATTERY TERMINAL BEFORE THE INSTALLATION TO HELP PREVENT ELECTRICAL DAMAGE. WE RECOMMEND THE USE OF A VOLT/OHM METER OVER A TEST LIGHT TO CHECK WIRING. A TEST LIGHT OR GROUNDED WIRE PROBE CAN CAUSE DAMAGE TO THE VEHICLE'S COMPUTER AND/OR DIAGNOSTIC SYSTEMS. AVOID ALL FACTORY AIR BAG WIRING - AIR BAGS CAN ACCIDENTALLY DEPLOY CAUSING SERIOUS INJURY OR DEATH.

NOTES:

- See your vehicle's instructions for any special instructions related to this kit.
- Read all instructions accompanying your car stereo/cassette player for proper wiring and mounting instructions.

LIABILITY DISCLAIMER

This instruction booklet is based on carefully documented data and research of automobile dash disassembly, wire harness/codes and information pertaining to installation of this kit in the listed vehicles. Manufacturer cannot be held responsible for discrepancies/inconsistencies that may occur due to the automobile manufacturing changes or options, or damage that may occur in the automobile during the installation of components while using this booklet.

If you have any further questions call:

©2006 SCOSCHE INDUSTRIES, INC.

SI 8/06 GM1596 (3000003)