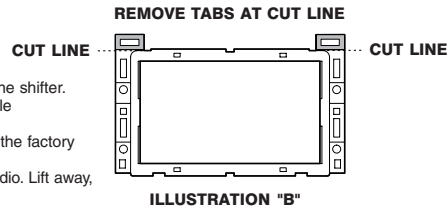


RADIO REMOVAL

2006 CHEVROLET HHR

- Using a panel removal tool, remove panel surrounding window controls in center console.
- Extract (2) 7mm screws from behind window control panel.
- Using a panel removal tool, unsnap trim bezel that surrounds the shifter.
- Using a panel removal tool, unsnap the rest of the lower console surrounding shifter.
- Using a panel removal tool, unsnap dash bezel that surrounds the factory and HVAC controls. Lift away, disconnect, and remove.
- Extract (8) 7mm screws securing HVAC controls and factory radio. Lift away, disconnect, and remove.



KIT MODIFICATION:

- Cut along notches to remove the shaded part on kit, for panel to fit for this application.

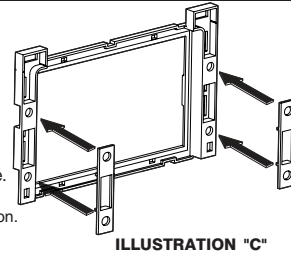
2006-UP SATURN ION

- Using a panel removal tool, remove the trim around the shifter.
- Using a panel removal tool, remove the top panel of the center console that surrounds the shifter and cup holders.
- Using a panel removal tool, remove the front dash panel that surrounds the radio and top A/C vents. Disconnect and remove. **(WARNING: DONT TURN ON THE IGNITION WITH THE PASSANGER AIRBAG LIGHT PLUG DISCONNECTED. THIS WILL FLAG AN AIRBAG LIGHT CODE).**
- Extract (4) 9/32" bolts securing the radio to the dash. Disconnect and remove.

KIT MODIFICATION:

- Cut along notches to remove the shaded part on kit, for panel to fit for this application.

(USE ILLUSTRATION "B" AND "C".)



2006 PONTIAC SOLSTICE

- Using a panel removal tool, pry, unsnap and remove the cover plate from behind the center console handle located on the right side of the console.
- Extract (2) 10mm bolts securing the handle.
- Using a panel removal tool, unsnap the dash bezel surrounding the radio.
- Lift away, disconnect and remove dash bezel.
- Remove (4) screws securing the factory radio to the dash, lift away, disconnect and remove.

2005-UP CHEVROLET COBALT

- Open glove box. Using a panel removal tool, carefully unsnap dash trim bezel, lift away and remove.
- Using a panel removal tool, unsnap driver knee panel, lift away, disconnect and remove.
- Using a panel removal tool, unsnap dash trim bezel on right side of steering wheel, lift away, disconnect and remove.
- Using a panel removal tool, unsnap dash bezel, lift away and remove.
- Extract (4) 7mm hex bolts securing radio, lift away, disconnect and remove.

2005-UP CHEVROLET EQUINOX

2006 PONTIAC TORRENT

- Unsnap dash surrounding radio, A/C and shifter. Disconnect and remove.
- Remove (4) 9/32" bolts securing radio. Disconnect and remove.

2005-UP PONTIAC G6

- Open glove box, remove (7) 9/32" screws from the inside glove box.
- Pop off side panel next to door and remove (2) screws. Remove glove box.
- Remove (3) 9/32" screws from under driver's dash panel.
- Remove side panel from driver's dash using a panel removal tool. Remove (2) 9/32" screws from behind.
- Driver's side under dash can now be removed.
- Using a panel removal tool, remove radio dash bezel.
- Remove (2) 9/32" screws holding A/C controls and remove A/C controls.
- Remove (4) 9/32" screws holding radio to dash. Disconnect and remove radio.

2004-UP CHEVROLET MALIBU

2004-UP CHEVROLET MALIBU MAXX

- Open glovebox, remove (8) 9/32" screws from the inside glove box, and remove trim above glove box using a panel removal tool.
- Pop off side panel next to door and remove two screws. Remove glove box.
- Remove trim below key hole.
- Remove (2) 9/32" screws from under drivers dash panel.
- Remove side panel from drivers dash using a panel removal tool, and remove (2) 9/32" screws.
- Drivers side under dash can now be removed.
- Using a panel removal tool, remove radio dash bezel.
- Remove (2) 9/32" screws holding A/C controls and remove A/C controls.
- Remove (4) 9/32" screws holding radio to dash. Disconnect and remove radio.

SCOSCHE®

GM1599B

IN-DASH INSTALLATION KIT FOR 2004-UP CHEVROLET; 2005-UP PONTIAC; 2006-UP SATURN

CHEVROLET

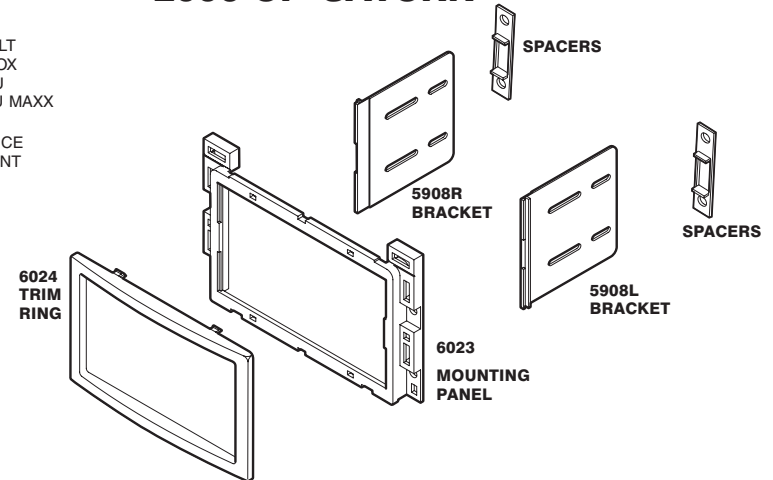
- 2006-UP HHR
- 2005-UP COLBALT
- 2005-UP EQUINOX
- 2004-UP MALIBU
- 2004-UP MALIBU MAXX

PONTIAC

- 2006-UP SOLSTICE
- 2006-UP TORRENT
- 2005-UP G6

SATURN

- 2006-UP ION



INTRODUCTION / PRELIMINARY

Thank you for purchasing the Scosche GM1599B Kit. This Kit was manufactured with the highest of quality standards.

CAUTION: DISCONNECT YOUR VEHICLE'S NEGATIVE BATTERY TERMINAL BEFORE THE INSTALLATION TO HELP PREVENT ELECTRICAL DAMAGE. WE RECOMMEND THE USE OF A VOLT/OHM METER OVER A TEST LIGHT TO CHECK WIRING. A TEST LIGHT OR GROUNDED WIRE PROBE CAN CAUSE DAMAGE TO THE VEHICLE'S COMPUTER AND/OR DIAGNOSTIC SYSTEMS. AVOID ALL FACTORY AIR BAG WIRING - AIR BAGS CAN ACCIDENTALLY DEPLOY CAUSING SERIOUS INJURY OR DEATH.

NOTES:

- See your vehicle's instructions for any special tools your installation might require.
- Read all instructions accompanying your car stereo/cassette player for proper wiring and mounting instructions.

HARNESS / ANTENNA APPLICATION CHART

VEHICLE	ANTENNA ADAPTER	HARNESS
2005 Chevrolet Equinox / 2006 Pontiac Torrent /	MDA-1	DCGM16B
2005-Up Chevrolet Cobalt	MDA-1	GM13B
2004-Up Chevrolet Malibu / Maxx	MDA-1	GM13B
2005-Up Pontiac G6	MDA-1	GM13B
2006 Chevrolet HHR	CRA	TBA
2006 Pontiac Solstice	CRA	TBA
2006 Saturn Ion	CRA	GM17B

LIABILITY DISCLAIMER

This instruction booklet is based on carefully documented data and research of automobile dash disassembly, wire harness/codes and information pertaining to installation of this kit in the listed vehicles. Manufacturer cannot be held responsible for discrepancies/inconsistencies that may occur due to the automobile manufacturing changes or options, or damage that may occur in the automobile during the installation of components while using this booklet.

If you have any further questions call:

TECH HELP 1-800-621-3695x3

©2006 SCOSCHE INDUSTRIES, INC.

SI 08/06-GM1587B (3000003)