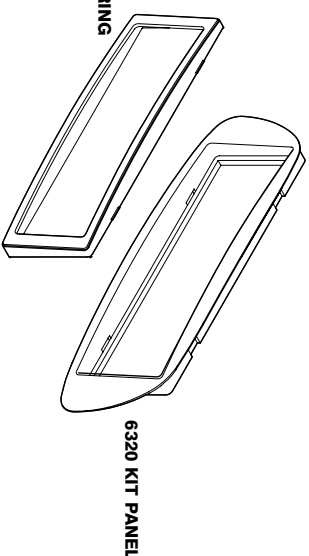
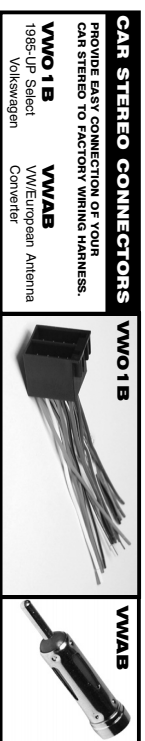


IN-DASH DIN RADIO INSTALLATION KIT FOR 2003-06 DODGE SPRINTER



FACTORY WIRING CODES

For Factory Wiring Codes go to: www.scosche-cars.com



FACTORY STEREO REMOVAL

1. Use Dodge radio extraction tools or Scosche DT2B (DIN Radio Removal Tool) to release the factory radio from the dash.
2. Unplug connectors and remove factory radio.
3. Remove the factory radio trim ring. It will not be used with the Scosche kit.

STEREO INSTALLATION

1. Press the Scosche 6320 Kit Panel tightly into the factory radio opening.
2. Slide the new radio's supplied DIN mounting sleeve through the Scosche 6320 Kit Panel and the factory radio opening.
3. Bend the DIN mounting sleeve's tabs, be sure they securely engage the backside of the factory radio opening.
4. Plug in radio harness and antenna connector, and slide the new radio all the way into the DIN mounting sleeve until it clicks.
5. Snap the Scosche 6321 Trim Ring over the radio.

LIABILITY DISCLAIMER

This instruction booklet is based on carefully documented data and research of automobile dash disassembly, wire harness/codes and information pertaining to installation of this kit (#CR1290) in 2003-06 Dodge Sprinter Vehicles. Scosche Industries, Inc. can not be held responsible for discrepancies/inconsistencies that may occur due to the automobile manufacturing changes or options, or damage that may occur in the automobiles during the installation of components while using this booklet.

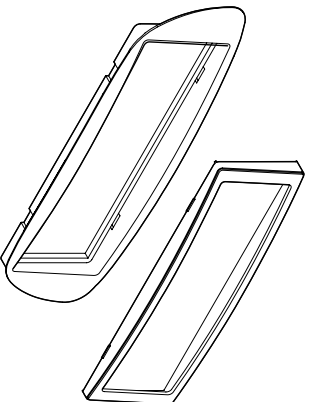
If you have any further questions, call:

©2007 SCOSCHE INDUSTRIES, INC.

TECH HELP 1-800-621-3695, ext. 3

SI 03/07 - CR1290 (3000003)

IN-DASH DIN RADIO INSTALLATION KIT FOR 2003-06 DODGE SPRINTER



FACTORY WIRING CODES

For Factory Wiring Codes go to: www.scosche-cars.com



FACTORY STEREO REMOVAL

1. Use Dodge radio extraction tools or Scosche DT2B (DIN Radio Removal Tool) to release the factory radio from the dash.
2. Unplug connectors and remove factory radio.
3. Remove the factory radio trim ring. It will not be used with the Scosche kit.

STEREO INSTALLATION

1. Press the Scosche 6320 Kit Panel tightly into the factory radio opening.
2. Slide the new radio's supplied DIN mounting sleeve through the Scosche 6320 Kit Panel and the factory radio opening.
3. Bend the DIN mounting sleeve's tabs, be sure they securely engage the backside of the factory radio opening.
4. Plug in radio harness and antenna connector, and slide the new radio all the way into the DIN mounting sleeve until it clicks.
5. Snap the Scosche 6321 Trim Ring over the radio.

LIABILITY DISCLAIMER

This instruction booklet is based on carefully documented data and research of automobile dash disassembly, wire harness/codes and information pertaining to installation of this kit (#CR1290) in 2003-06 Dodge Sprinter Vehicles. Scosche Industries, Inc. can not be held responsible for discrepancies/inconsistencies that may occur due to the automobile manufacturing changes or options, or damage that may occur in the automobiles during the installation of components while using this booklet.

If you have any further questions, call:

TECH HELP 1-800-621-3695, ext. 3

©2007 SCOSCHE INDUSTRIES, INC.

SI 03/07 - CR1290 (3000003)