

BASE-CLAMPS HOW IT WORKS:

STEP 1

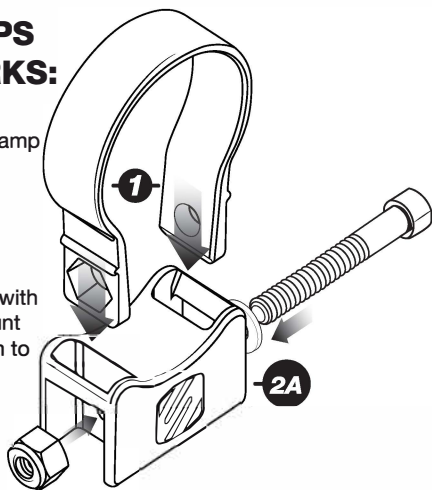
Select the right size clamp
(Various sizes sold
separately)

STEP 2

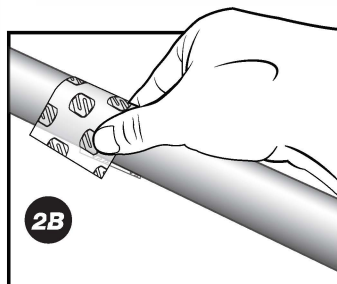
Select the base & ring
clamp that coincides with
what you need to mount
2A. Use protective film to
prevent any paint
damage **2B.**

STEP 3

Lock it in place



The self locking clamp design
allows for easy one person
installation. Simply slip the clamp
over tube and lock in your base,
secure using the stainless
mounting hardware and you are
ready to Mount Up and Move Out.



NOTE: Ring clamps 2" & over in size may
require pre-stretching to help spread the
clamp over the tube. (Use Protective film
when mounting)

For complete warranty details, please visit us at
www.scosche.com or call (800) 363-4490

Register your product online at

www.scosche.com/register

SCOSCHE

PSM21006

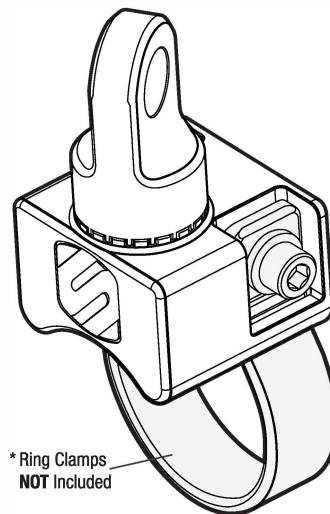
ADJUSTABLE WHIP / FLAG MOUNT BASE

PARTS INCLUDED

(1) Adjustable Mount

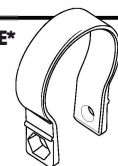
TOOLS REQUIRED (Not Included)

3/16" Hex (Allen) Key, Except where noted



VARIOUS RING CLAMP SIZES SOLD SEPARATELY w/ HARDWARE*

- PSC21006** - BaseClamp 1.5" Ring Clamp
- PSC21007** - BaseClamp 1.625" Ring Clamp
- PSC21009** - BaseClamp 1.75" Ring Clamp
- PSC21010** - BaseClamp 1.85" Ring Clamp
- PSC21011** - BaseClamp 1.875" Ring Clamp
- PSC21012** - BaseClamp 2" Ring Clamp



STOP

IMPORTANT!

DO NOT RETURN PRODUCT TO THE RETAILER

IF YOU NEED ASSISTANCE OR REPLACEMENT PARTS

CALL US TOLL FREE: 1-800-363-4490 x1

HOURS MON-FRI 8AM-5:30PM (PST) SATURDAY 8AM-2PM (PST)

PSM21006

ADJUSTABLE WHIP / FLAG MOUNT BASE

INSTRUCTIONS

STEP 1

Choose a mounting location (A)

STEP 2

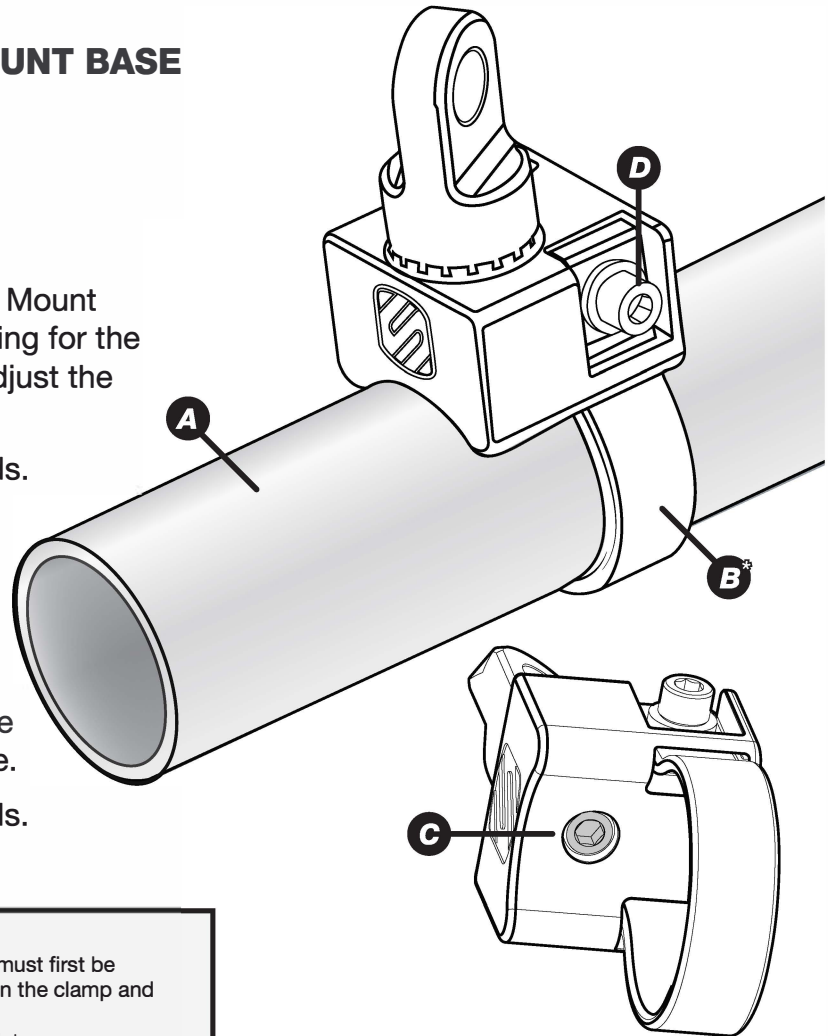
Before mounting the Adjustable Whip Mount base to the appropriate sized clamp ring for the vehicle (B*), use a 3/16" hex key to adjust the whip mounting angle (C) and tighten.

Note: Do not exceed 200 inch-pounds.

STEP 3

Position & mount Adjustable Whip Mount base by clicking clamp rings into the base. Then use a 3/16" hex key to fasten the screw & nut (D) included with the ring clamp. Continue until clamp is tight and does not move.

Note: Do not exceed 200 inch-pounds.



Clamp Removal:

In-order to remove the clamp from location, the clamp must first be tightened to allow base removal. Once tightened, loosen the clamp and carefully squeeze clamp to remove from the location.

Note: Use protective film to help avoid damage to the paint.

* Various ring clamp sizes available (sold separately w/ hardware).