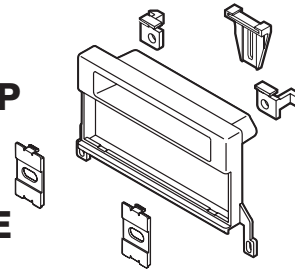


SCOSCHE®

FD1325

IN-DASH INSTALLATION KIT FOR 1997-03 FORD F-SERIES PICK-UP 1997 FORD EXPEDITION 1998-02 LINCOLN NAVIGATOR 2004 FORD F-SERIES HERITAGE



FACTORY WIRING CODES

For Factory Wiring Codes go to: www.scosche-cars.com

INTRODUCTION

Thank you for purchasing the Scosche FD1325 Kit. This kit was manufactured with the highest of quality standards.

CAUTION:

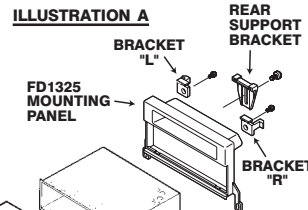
DISCONNECT YOUR VEHICLE'S NEGATIVE BATTERY TERMINAL BEFORE THE INSTALLATION TO HELP PREVENT ELECTRICAL DAMAGE. WE RECOMMEND THE USE OF A VOLT/OHM METER OVER A TEST LIGHT TO CHECK WIRING. A TEST LIGHT OR GROUNDED WIRE PROBE CAN CAUSE DAMAGE TO THE VEHICLE'S COMPUTER AND/OR DIAGNOSTIC SYSTEMS. AVOID ALL FACTORY AIR BAG WIRING - AIR BAGS CAN ACCIDENTALLY DEPLOY CAUSING SERIOUS INJURY OR DEATH.

NOTES:

- See your vehicle's instructions for any special tools your installation might require.
- Read all instructions accompanying your car stereo/cassette player for proper wiring and mounting instructions.

STEREO INSTALLATION

1997 Ford Expedition
1997-03 Ford F-150 Full Size Pick-Up
1998-02 Lincoln Navigator

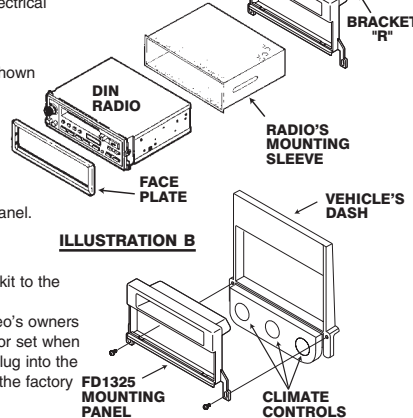


RADIO REMOVAL:

1. Carefully pry out on radio/dash bezel and unsnap to remove.
2. Insert DIN Removal Tools to release Factory Stereo, unplug all electrical connectors, and remove radio.

FD1325 KIT PREPARATION

1. Screw in top brackets "L" and "R" to the back of the kit panel as shown in illustrations "A" with the hardware provided.
2. Remove the (2) top screws from the factory climate /vent control panel.
3. Snap the installation kit into the radio opening with screw holes on the bottom tabs and over (2) top screw holes for the Factory Climate/Vent control panel (See illustration "B").
4. Reinstall the (2) top screws for the Factory Climate/Vent control panel.



STEREO INSTALLATION:

1. See illustration "A" for kit assembly with DIN stereos.
2. Be sure to attach rear support bracket provided in the installation kit to the back as shown in illustrations "A".
3. Connecting the stereo to the factory wiring as directed in the stereo's owners manual. Scosche recommend the use of an FD02/FD16 connector set when connecting to the factory wiring. The FD02/FD16 connector will plug into the wiring in the vehicle and eliminate the need to cut and splice into the factory wiring.

LIABILITY DISCLAIMER

This instruction booklet is based on carefully documented data and research of automobile dash disassembly, wire harness/ codes and information pertaining to installation of this kit (FD1325) in 1997-03 Ford F-Series pickup/sport utility. Scosche Industries, Inc. can not be held responsible for discrepancies/inconsistencies that may occur due to the automobile manufacturing changes or options, or damage that may occur in the automobile during the installation of components while using this booklet.

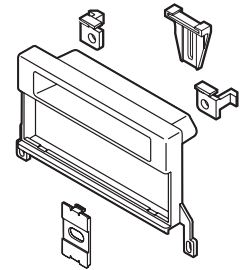
If you have any further questions, call
© 2005 SCOSCHE INDUSTRIES, INC.

TECH HELP 1-800-621-3695 x3
SI 1/05 - FD1325 (3000366)

SCOSCHE®

FD1325

IN-DASH INSTALLATION KIT FOR 1997-03 FORD F-SERIES PICK-UP 1997 FORD EXPEDITION 1998-02 LINCOLN NAVIGATOR 2004 FORD F-SERIES HERITAGE



FACTORY WIRING CODES

For Factory Wiring Codes go to: www.scosche-cars.com

INTRODUCTION

Thank you for purchasing the Scosche FD1325 Kit. This kit was manufactured with the highest of quality standards.

CAUTION:

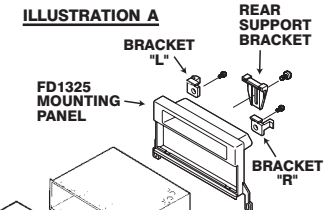
DISCONNECT YOUR VEHICLE'S NEGATIVE BATTERY TERMINAL BEFORE THE INSTALLATION TO HELP PREVENT ELECTRICAL DAMAGE. WE RECOMMEND THE USE OF A VOLT/OHM METER OVER A TEST LIGHT TO CHECK WIRING. A TEST LIGHT OR GROUNDED WIRE PROBE CAN CAUSE DAMAGE TO THE VEHICLE'S COMPUTER AND/OR DIAGNOSTIC SYSTEMS. AVOID ALL FACTORY AIR BAG WIRING - AIR BAGS CAN ACCIDENTALLY DEPLOY CAUSING SERIOUS INJURY OR DEATH.

NOTES:

- See your vehicle's instructions for any special tools your installation might require.
- Read all instructions accompanying your car stereo/cassette player for proper wiring and mounting instructions.

STEREO INSTALLATION

1997 Ford Expedition
1997-03 Ford F-150 Full Size Pick-Up
1998-02 Lincoln Navigator

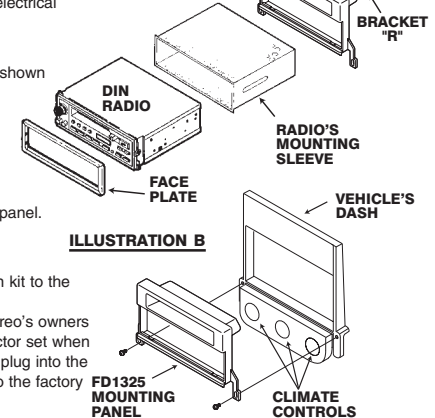


RADIO REMOVAL:

1. Carefully pry out on radio/dash bezel and unsnap to remove.
2. Insert DIN Removal Tools to release Factory Stereo, unplug all electrical connectors, and remove radio.

FD1325 KIT PREPARATION

1. Screw in top brackets "L" and "R" to the back of the kit panel as shown in illustrations "A" with the hardware provided.
2. Remove the (2) top screws from the factory climate /vent control panel.
3. Snap the installation kit into the radio opening with screw holes on the bottom tabs and over (2) top screw holes for the Factory Climate/Vent control panel (See illustration "B").
4. Reinstall the (2) top screws for the Factory Climate/Vent control panel.



STEREO INSTALLATION:

1. See illustration "A" for kit assembly with DIN stereos.
2. Be sure to attach rear support bracket provided in the installation kit to the back as shown in illustrations "A".
3. Connecting the stereo to the factory wiring as directed in the stereo's owners manual. Scosche recommend the use of an FD02/FD16 connector set when connecting to the factory wiring. The FD02/FD16 connector will plug into the wiring in the vehicle and eliminate the need to cut and splice into the factory wiring.

LIABILITY DISCLAIMER

This instruction booklet is based on carefully documented data and research of automobile dash disassembly, wire harness/ codes and information pertaining to installation of this kit (FD1325) in 1997-03 Ford F-Series pickup/sport utility. Scosche Industries, Inc. can not be held responsible for discrepancies/inconsistencies that may occur due to the automobile manufacturing changes or options, or damage that may occur in the automobile during the installation of components while using this booklet.

If you have any further questions, call
© 2005 SCOSCHE INDUSTRIES, INC.

TECH HELP 1-800-621-3695 x3
SI 1/05 - FD1325 (3000366)