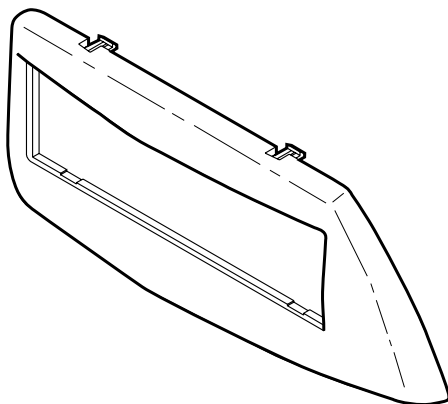


SCOSCHE®

FD1365B

IN-DASH INSTALLATION KIT FOR 2000-UP FORD KA



INTRODUCTION / PRELIMINARY

Thank you for purchasing the Scosche FD1365B Kit. This kit was manufactured with the highest of quality standards.

NOTES:

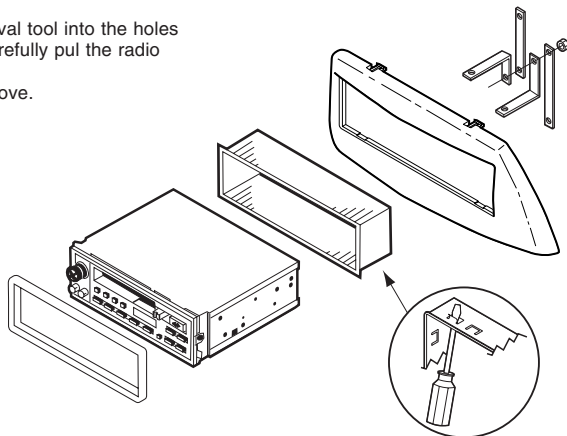
- See your vehicle's instructions for any special tools your installation might require.
- Read all instructions accompanying your car stereo/cassette player for proper wiring and mounting instructions.

VEHICLE DISASSEMBLY

RADIO REMOVAL

1. Insert the Ford DIN radio removal tool into the holes on the side of the radio and carefully pull the radio out of the dash cavity.
2. Unplug all connectors and remove.

CAUTION:
REAR SUPPORT AVAILABLE SEPARATELY. REAR SUPPORTING THE RADIO ADDS TO THE INSTALLATIONS STRUCTURAL INTEGRITY.



TECH HELP 1-800-621-3695x3
WIRE CODES

For Factory Wiring Codes go to: www.scosche-cars.com

LIABILITY DISCLAIMER

This instruction booklet is based on carefully documented data and research of automobile dash disassembly, wire harness/codes and information pertaining to installation of this kit in the listed vehicles. Manufacturer cannot be held responsible for discrepancies/inconsistencies that may occur due to the automobile manufacturing changes or options, or damage that may occur in the automobile during the installation of components while using this booklet.

If you have any further questions call:

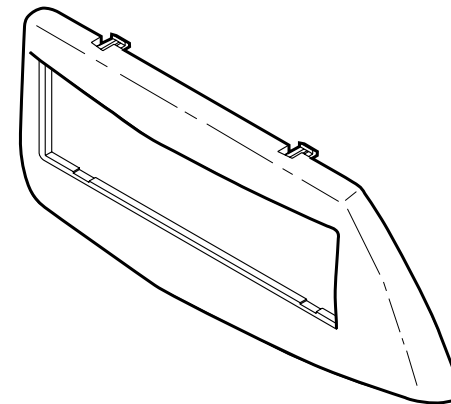
FD1265B 2/04 (3000003)

© 2004 SCOSCHE INDUSTRIES, INC.

SCOSCHE®

FD1365B

IN-DASH INSTALLATION KIT FOR 2000-UP FORD KA



INTRODUCTION / PRELIMINARY

Thank you for purchasing the Scosche FD1365B Kit. This kit was manufactured with the highest of quality standards.

NOTES:

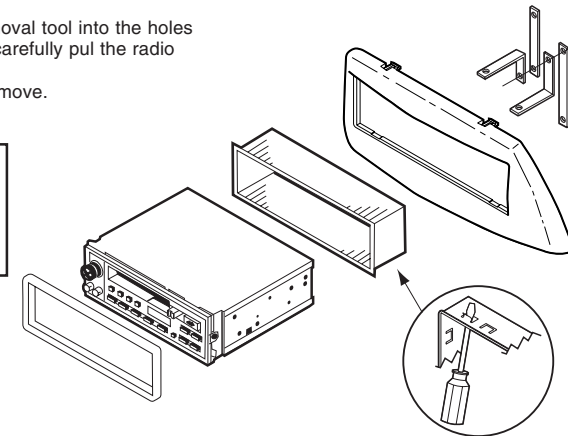
- See your vehicle's instructions for any special tools your installation might require.
- Read all instructions accompanying your car stereo/cassette player for proper wiring and mounting instructions.

VEHICLE DISASSEMBLY

RADIO REMOVAL

1. Insert the Ford DIN radio removal tool into the holes on the side of the radio and carefully pull the radio out of the dash cavity.
2. Unplug all connectors and remove.

CAUTION:
REAR SUPPORT AVAILABLE SEPARATELY. REAR SUPPORTING THE RADIO ADDS TO THE INSTALLATIONS STRUCTURAL INTEGRITY.



TECH HELP 1-800-621-3695x3
WIRE CODES

For Factory Wiring Codes go to: www.scosche-cars.com

LIABILITY DISCLAIMER

This instruction booklet is based on carefully documented data and research of automobile dash disassembly, wire harness/codes and information pertaining to installation of this kit in the listed vehicles. Manufacturer cannot be held responsible for discrepancies/inconsistencies that may occur due to the automobile manufacturing changes or options, or damage that may occur in the automobile during the installation of components while using this booklet.

If you have any further questions call:

FD1265B 2/04 (3000003)

© 2004 SCOSCHE INDUSTRIES, INC.