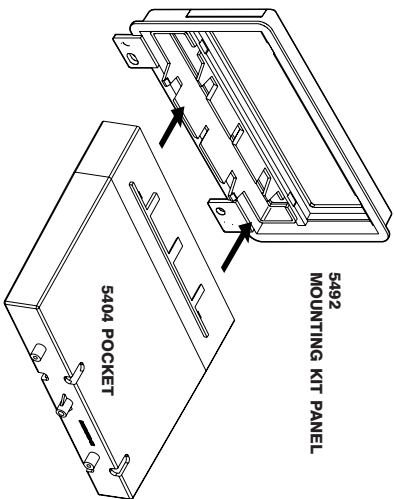


POCKET ASSEMBLY

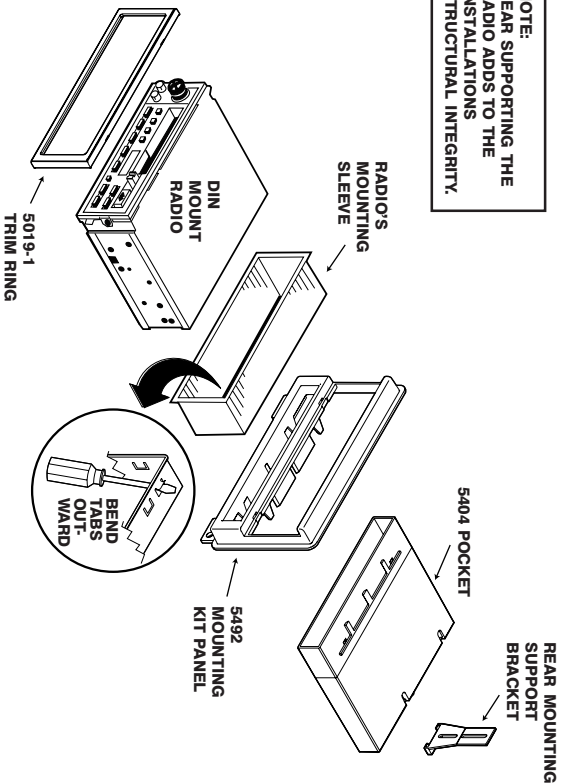
A. ATTACHING THE POCKET:

Align the pocket to the snaps of kit panel. Snap the pocket into place on the back of kit panel.



MOUNTING THE RADIO

NOTE:
REAR SUPPORTING THE RADIO ADDS TO THE INSTALLATIONS STRUCTURAL INTEGRITY.



2003-03 FORD EXPEDITION 2002-03 FORD EXPLORER 4-DR 2002-03 MERCURY MOUNTAINEER

RADIO REMOVAL

1. Use panel removal tool to pry out radio trim bezel and disconnect.
2. Extract two (2) 9/32" screws, located below the radio, disconnect and remove.

2001-03 FORD MUSTANG

RADIO REMOVAL

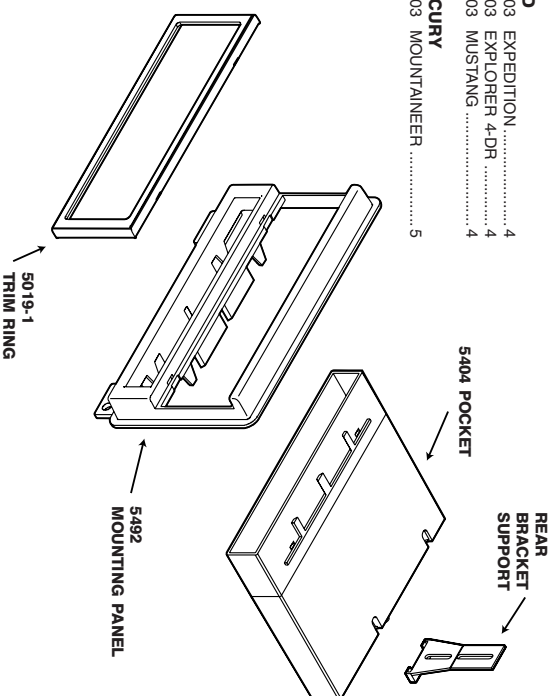
1. Use panel removal tool to pry out gear shift bezel.
2. Use panel removal tool to pry out radio trim bezel.
3. Extract two (2) 9/32" screws, located below the radio, disconnect and remove.

SCOSCHE®

FD1422

IN-DASH INSTALLATION KIT FOR 2001-UP SELECT FORD/MERCURY VEHICLES

FORD	EXPEDITION.....	4
	2003-03 EXPLOER 4-DR	4
	2002-03 MUSTANG	4
	2001-03 MOUNTAINEER	5



INTRODUCTION / PRELIMINARY

Thank you for purchasing the Scosche FD1422 Kit. This kit was manufactured with the highest of quality standards.

CAUTION:

Disconnect your vehicle's negative battery terminal before the installation to help prevent electrical damage. We recommend the use of a volt/ohm meter over a test light to check wiring. A test light or grounded wire probe can cause damage to the vehicle's computer and/or diagnostic systems. Avoid all factory air bag wiring - air bags can accidentally deploy causing serious injury or death.

NOTES:

- See your vehicle's instructions for any special tools your installation might require.
- Read all instructions accompanying your car stereo/cassette player for proper wiring and mounting instructions.

FACTORY WIRING CODES

For Factory Wiring Codes go to: www.scosche-cars.com

LIABILITY DISCLAIMER

This instruction booklet is based on carefully documented data and research of automobile dash disassembly, wire harness/codes and information pertaining to installation of this kit (FD1422). Scosche Industries, Inc. can not be held responsible for discrepancies/inconsistencies that may occur due to the automobile manufacturing changes or options, or damage that may occur in the automobile during the installation of components while using this booklet.

If you have any further questions, call our toll free technical help line at: **1-800-621-3695x3**
© 2003 SCOSCHE INDUSTRIES, INC. SI 10/03 - FD1422 (3000003)