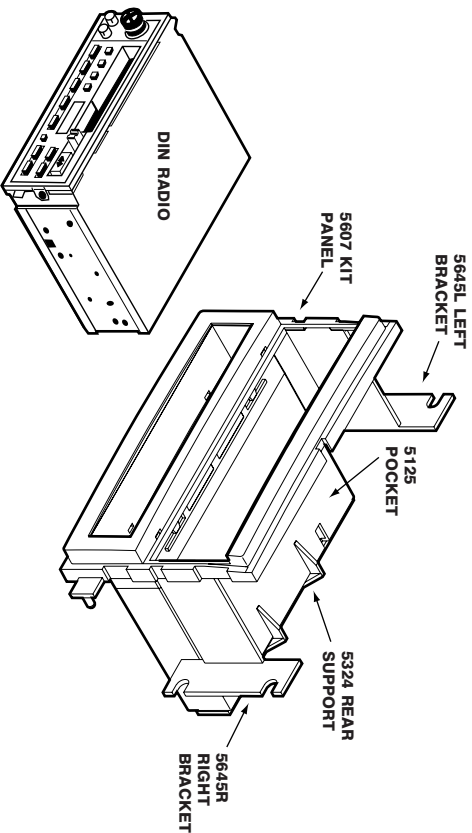


### 2004-UP FORD FREESTAR AND 2005 FOCUS / 2005 FORD SUPERDUTY PICK-UP AND 2005 MERCURY MONTEREY KIT



#### INTRODUCTION / PRELIMINARY

Thank you for purchasing the Scosche FD1425B Kit. This kit was manufactured with the highest of quality standards.

**NOTES:**

- See your vehicle's instructions for any special tools your installation might require.
- Read all instructions accompanying your car stereo/cassette player for proper wiring and mounting instructions.

#### RADIO REMOVAL INSTRUCTIONS

##### 2004-UP FORD FREESTAR AND 2005 FORD FOCUS

##### 2004-UP MERCURY MONTEREY

**NOTE:** The factory radio provision is for a double DIN opening.

1. Using panel removal tool, pop out radio bezel. Disconnect and remove.
2. Extract (4) ¼" hex bolts securing radio, lift away, disconnect and remove.

##### 2005 FORD SUPERDUTY PICK-UP

1. Carefully unsnap dash/radio panel using panel removal tool, lift away, disconnect and remove.
2. Extract four (4) 8mm hex bolts securing radio, lift away, disconnect and remove.

#### FACTORY WIRING CODES

For Factory Wiring Codes go to: [www.scosche-cars.com](http://www.scosche-cars.com) or call.

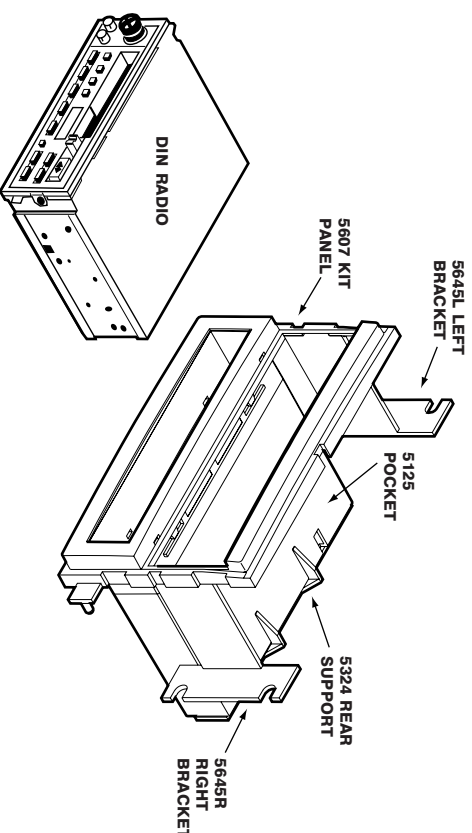
#### LIABILITY DISCLAIMER

This instruction booklet is based on carefully documented data and research of automobile dash disassembly, wire harness/codes and information pertaining to installation of this kit in the listed vehicles. Manufacturer cannot be held responsible for discrepancies/inconsistencies that may occur due to the automobile manufacturing changes or options, or damage that may occur in the automobile during the installation of components while using this booklet.

If you have any further questions call:

**TECH HELP 1-800-621-3695x3**

### 2004-UP FORD FREESTAR AND 2005 FOCUS / 2005 FORD SUPERDUTY PICK-UP AND 2005 MERCURY MONTEREY KIT



#### INTRODUCTION / PRELIMINARY

Thank you for purchasing the Scosche FD1425B Kit. This kit was manufactured with the highest of quality standards.

**NOTES:**

- See your vehicle's instructions for any special tools your installation might require.
- Read all instructions accompanying your car stereo/cassette player for proper wiring and mounting instructions.

#### RADIO REMOVAL INSTRUCTIONS

##### 2004-UP FORD FREESTAR AND 2005 FORD FOCUS

##### 2004-UP MERCURY MONTEREY

**NOTE:** The factory radio provision is for a double DIN opening.

1. Using panel removal tool, pop out radio bezel. Disconnect and remove.
2. Extract (4) ¼" hex bolts securing radio, lift away, disconnect and remove.

##### 2005 FORD SUPERDUTY PICK-UP

1. Carefully unsnap dash/radio panel using panel removal tool, lift away, disconnect and remove.
2. Extract four (4) 8mm hex bolts securing radio, lift away, disconnect and remove.

#### FACTORY WIRING CODES

For Factory Wiring Codes go to: [www.scosche-cars.com](http://www.scosche-cars.com) or call.

#### LIABILITY DISCLAIMER

This instruction booklet is based on carefully documented data and research of automobile dash disassembly, wire harness/codes and information pertaining to installation of this kit in the listed vehicles. Manufacturer cannot be held responsible for discrepancies/inconsistencies that may occur due to the automobile manufacturing changes or options, or damage that may occur in the automobile during the installation of components while using this booklet.

If you have any further questions call:

**TECH HELP 1-800-621-3695x3**