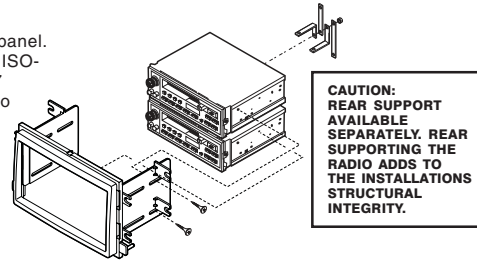


MOUNTING THE RADIO (2 SINGLE DIN / DBL DIN)

2 DIN-ISO / DBL DIN MOUNT

1. Snap the 5937L/R brackets to the 5936 kit panel.
2. Align, position and bolt the aftermarket two ISO-DIN or one Double DIN head unit to the 5937 brackets. Use hardware supplied with radio to secure the mounting brackets.



MOUNTING BRACKET CONFIGURATIONS

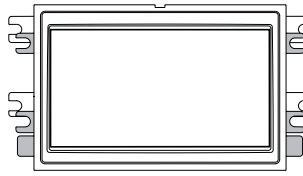


FIGURE 1

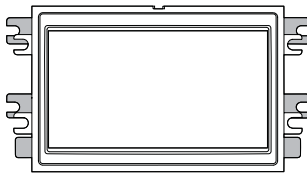


FIGURE 2

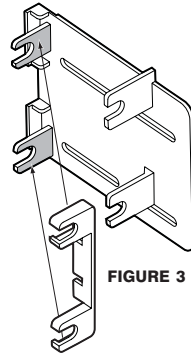


FIGURE 3

USE THE SHADED MOUNTING TABS. CUT OFF THE REMAINING TABS AND DISCARD.

STEREO INSTALLATION

2006-UP FORD EXPLORER

(Use FIGURE 3)

2006-UP MERCURY MOUNTAINEER

1. Lift center console lid and extract (2) 7mm hex screws.
2. Using a panel removal tool, lift up to release bezel surrounding center shift.
3. Using a panel removal tool, unsnap radio dash bezel surrounding radio.

2005-UP FORD FIVE HUNDRED

(Use FIGURE 1)

2005-UP MERCURY MONTEGO

1. Unsnap shifter trim bezel, lift away and remove.
2. Unsnap center console bezel, lift away and remove.
3. Extract (2) 7mm hex bolts securing bottom edge of dash panel. Unsnap dash panel, lift away, disconnect and remove.
4. Extract (4) 7mm hex bolts securing radio, lift away, disconnect and remove.

2005-UP FORD FOCUS

(FIGURE 2)

2004-UP FORD FREESTAR

2004-UP MERCURY MONTEREY

1. Using panel removal tool, pop out radio bezel. Disconnect and remove.
2. Extract (4) 1/4" hex bolts securing radio, lift away, disconnect and remove.

2005-UP FORD FREESTYLE

(FIGURE 1)

1. Unsnap dash bezel, lift away, disconnect and remove.
2. Extract (4) 7mm hex bolts securing radio, lift away, disconnect and remove.

2005-UP FORD MUSTANG

(FIGURE 1)

1. Open center console, remove (2) Phillips head screws from back of console cover. Lift up and remove. (Console cover is held in place by (2) screws in back, press clips on each side and front).
2. Remove panel from along side of center dash by pulling from bottom to top. Panels are held in place via press clips.
3. To remove radio trim bezel, extract (6) 9/32 screws (three on each side) from panel. Unplug heat and A/C control harnesses, remove panel. Extract (4) 9/32 screws from radio mounting. Unplug and remove.

2005-UP FORD SUPERDUTY

(FIGURE 2)

1. Carefully unsnap dash/radio panel using panel removal tool, lift away, disconnect and remove.
2. Extract (4) 8mm hex bolts securing radio, lift away, disconnect and remove.

2004-UP FORD F150

(Use FIGURE 1)

1. Using panel removal tool, pry loose panel from around radio, vent and shifter. Unplug and remove.
2. Extract (4) Phillips head screws from radio brackets. Unplug and remove.

SCOSCHE

FD1426B

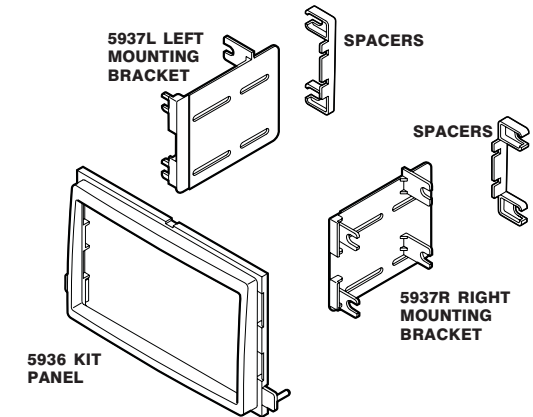
FOR SELECT 2004-UP FORD AND MERCURY VEHICLES

FORD

- 2006-UP EXPLORER
- 2004-UP F150
- 2005-UP FIVE HUNDRED
- 2005-UP FOCUS
- 2004-UP FREESTAR
- 2005-UP FREESTYLE
- 2005-UP MUSTANG
- 2005-UP SUPERDUTY PICK-UP

MERCURY

- 2005-UP MONTEGO
- 2004-UP MONTEREY
- 2006-UP MOUNTAINEER



INTRODUCTION/PRELIMINARY

This premium installation kit is for 2004-Up Ford and Mercury vehicles. Included are all the parts you need to mount your car stereo/cassette or CD player into your vehicle's dash. Refer to the individual instruction in this manual to remove your vehicle's factory radio and assemble the kit.

CAUTION:

DISCONNECT YOUR VEHICLE'S NEGATIVE BATTERY TERMINAL BEFORE THE INSTALLATION TO HELP PREVENT ELECTRICAL DAMAGE. WE RECOMMEND THE USE OF A VOLT/OHM METER OVER A TEST LIGHT TO CHECK WIRING. A TEST LIGHT OR GROUNDED WIRE PROBE CAN CAUSE DAMAGE TO THE VEHICLE'S COMPUTER AND/OR DIAGNOSTIC SYSTEMS. AVOID ALL FACTORY AIRBAG WIRING - AIRBAGS CAN ACCIDENTALLY DEPLOY CAUSING SERIOUS INJURY OR DEATH.

NOTES:

- See your vehicle's instructions for any special tools your installation might require.
- Read all instructions accompanying your car stereo/cassette player for proper wiring and mounting instructions.

FACTORY WIRING CODES

For Factory Wiring Codes go to: www.scosche-cars.com



LIABILITY DISCLAIMER

This instruction booklet is based on carefully documented data and research of automobile dash disassembly, wire harness/codes and information pertaining to installation of this kit in the listed vehicles. Manufacturer cannot be held responsible for discrepancies/inconsistencies that may occur due to the automobile manufacturing changes or options, or damage that may occur in the automobile during the installation of components while using this booklet.

If you have any further questions call:

TECH HELP 1-800-621-3695x3

©2006 SCOSCHE INDUSTRIES, INC.

SI 09/06-FD1426B (3000003)