

IN-DASH INSTALLATION KIT FOR 2001-06 SELECT FORD/LINCOLN/ MERCURY VEHICLES

FORD

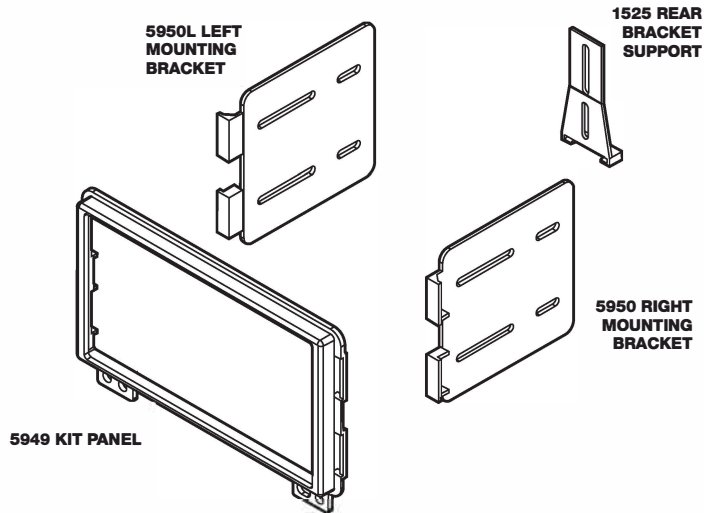
2003-06 EXPEDITION
2002-05 EXPLORER 4 DR.
2001-04 MUSTANG

LINCOLN

2002-05 AVIATOR
2003-06 NAVIGATOR

MERCURY

2002-05 MOUNTAINEER



INTRODUCTION / PRELIMINARY

This premium installation kit is for 2001-06 Select Ford/Lincoln/Mercury vehicles. Included are all the parts you need to mount your car stereo or CD player into your vehicle's dash. Refer to the individual instruction in this manual to remove your vehicle's factory radio and assemble the kit.

CAUTION

DISCONNECT YOUR VEHICLE'S NEGATIVE BATTERY TERMINAL BEFORE THE INSTALLATION TO HELP PREVENT ELECTRICAL DAMAGE. WE RECOMMEND THE USE OF A VOLT/OHM METER OVER A TEST LIGHT TO CHECK WIRING. A TEST LIGHT OR GROUNDED WIRE PROBE CAN CAUSE DAMAGE TO THE VEHICLE'S COMPUTER AND/OR DIAGNOSTIC SYSTEMS. AVOID ALL FACTORY AIRBAG WIRING - AIRBAGS CAN ACCIDENTALLY DEPLOY CAUSING SERIOUS INJURY OR DEATH.

NOTES

- See your vehicle's instructions for any special tools your installation might require.
- Read all instructions accompanying your car stereo for proper wiring and mounting instructions.

FACTORY WIRING CODES

For Factory Wiring Codes go to: www.scosche-cars.com

CAR STEREO CONNECTORS

PROVIDE EASY CONNECTION OF YOUR CAR STEREO TO FACTORY WIRING HARNESS.

FD16

1998-Up Ford

FD23

2003-Up Ford

FD16



FD23



LIABILITY DISCLAIMER

This instruction booklet is based on carefully documented data and research of automobile dash disassembly, wire harness/codes and information pertaining to installation of this kit (FD1428B) in 2001-06 Select Ford/Lincoln/Mercury vehicles. Scosche Industries, Inc. cannot be held responsible for discrepancies/inconsistencies that may occur due to the automobile manufacturing changes or options, or damage that may occur in the automobile during the installation of components while using this booklet.

If you have any further questions, call our toll free technical help line at: **1-800-621-3695x3**

FACTORY STEREO REMOVAL

2003-06 FORD EXPEDITION

2002-05 FORD EXPLORER 4-DR.

2002-05 LINCOLN AVIATOR

2002-05 MERCURY MOUNTAINEER

1. Use panel removal tool to pry out stereo trim bezel and disconnect.
2. Extract two (2) 9/32" screws located below the stereo, disconnect and remove.

2001-04 FORD MUSTANG

1. Use panel removal tool to pry out gear shift bezel.
2. Use panel removal tool to pry out radio trim bezel.
2. Extract two (2) 9/32" screws, located below the stereo, disconnect and remove

2003-06 LINCOLN NAVIGATOR

1. Open the center console door and remove (1) push-pin type fastener from power window switch panel. Unsnap, unplug and remove panel.
2. Extract (2) 7mm hex screws from back of gear shift/cup holder panel, unsnap and lift panel out of the way.
3. Extract (2) 7mm hex screws from below ashtray.
4. Use a panel removal tool to carefully unsnap and remove the entire radio-A/C control center dash bezel, unplug and remove.
5. Extract (2) 7mm hex screws from below stereo, unplug and remove stereo.

MOUNTING THE STEREO

DBL-DIN ISO MOUNT

1. Snap the 5950L/R brackets to the 5949 kit panel.
2. Align, position and bolt the DOUBLE-DIN head unit to the 5950 brackets. Use hardware supplied with stereo to secure the mounting brackets.

Note: If hardware is not supplied with aftermarket stereo use hardware from factory stereo.

