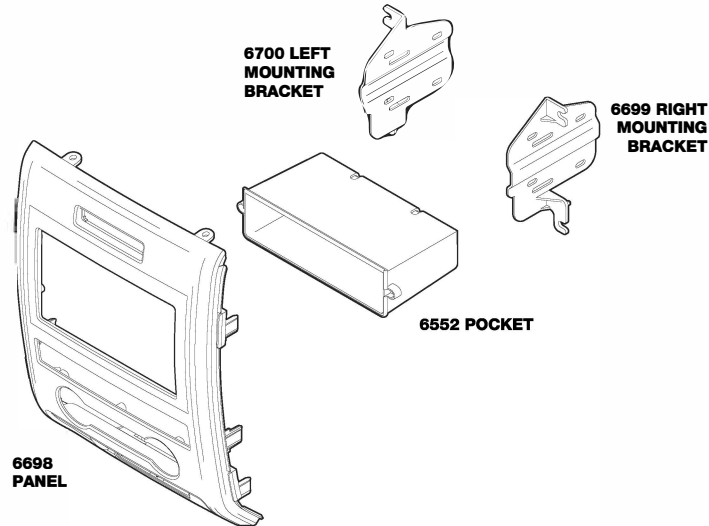


IN-DASH STEREO INSTALLATION KIT FOR 2009 FORD F-150



INTRODUCTION/PRELIMINARY

This premium installation kit is for 2009 Ford F-150 vehicles. Included are all the parts you need to mount your car stereo or CD player into your vehicle's dash. Refer to the individual instruction in this manual to remove your vehicle's factory radio and assemble the kit.

CAUTION

DISCONNECT YOUR VEHICLE'S NEGATIVE BATTERY TERMINAL BEFORE THE INSTALLATION TO HELP PREVENT ELECTRICAL DAMAGE. WE RECOMMEND THE USE OF A VOLT/OHM METER OVER A TEST LIGHT TO CHECK WIRING. A TEST LIGHT OR GROUNDED WIRE PROBE CAN CAUSE DAMAGE TO THE VEHICLE'S COMPUTER AND/OR DIAGNOSTIC SYSTEMS. AVOID ALL FACTORY AIRBAG WIRING - AIRBAGS CAN ACCIDENTALLY DEPLOY CAUSING SERIOUS INJURY OR DEATH.

NOTES

- See your vehicle's instructions for any special tools your installation might require.
- Read all instructions accompanying your car stereo for proper wiring and mounting instructions.

FACTORY WIRING CODES

For Factory Wiring Codes go to: www.scosche-cars.com

CAR STEREO CONNECTORS	FDSR	CRAB
PROVIDE EASY CONNECTION OF YOUR CAR STEREO TO FACTORY WIRING HARNESS. FDSR 2005-Up Ford/Lincoln/Mercury Replacement Interface		
CRAB 2002-Up Chrysler/Jeep Antenna Adapter		

LIABILITY DISCLAIMER

This instruction booklet is based on carefully documented data and research of automobile dash disassembly, wire harness/codes and information pertaining to installation of this kit (FD1438B) in 2009 Ford F-150 vehicles. Scosche Industries, Inc. cannot be held responsible for discrepancies/inconsistencies that may occur due to the automobile manufacturing changes or options, or damage that may occur in the automobile during the installation of components while using this booklet.

If you have any further questions, call our toll free technical help line at: **1-800-621-3695x3**

FACTORY STEREO REMOVAL

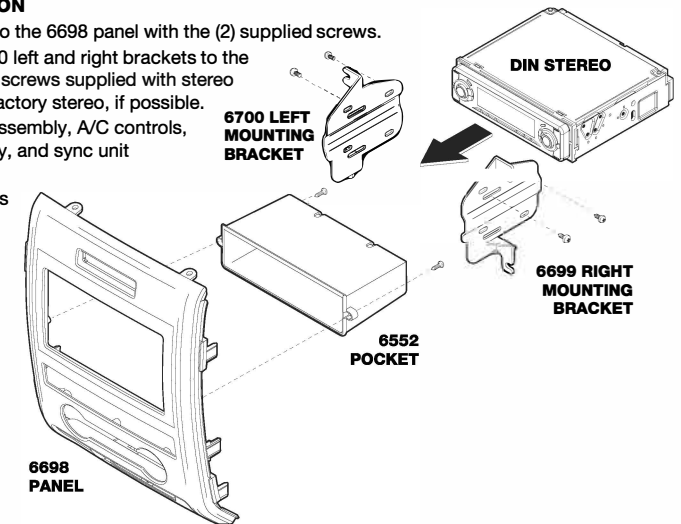
2009 FORD F-150

1. With panel removal tool unsnap dash/vent panels on either side of stereo.
2. Remove (2) 7mm screws on top of stereo in front of display.
3. With panel removal tool unsnap small panel next to cigarette lighter.
4. Remove (1) 7mm screw.
5. Unsnap complete stereo & A/C panel.
6. Remove (4) 7mm screws securing stereo.

MOUNTING THE STEREO

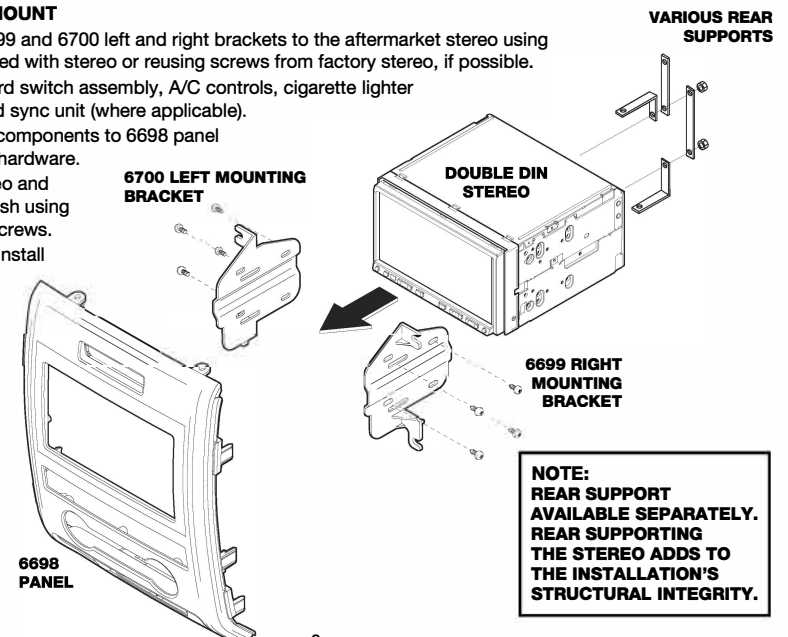
SINGLE DIN INSTALLATION

1. Attach the 6552 pocket to the 6698 panel with the (2) supplied screws.
2. Mount the 6699 and 6700 left and right brackets to the aftermarket stereo using screws supplied with stereo or reusing screws from factory stereo, if possible.
3. Remove hazard switch assembly, A/C controls, cigarette lighter assembly, and sync unit (where applicable).
4. Re-attach all components to 6698 panel using factory hardware.
5. Connect stereo and mount into dash using the (4) 7mm screws.
6. Connect and install 6698 panel assembly over stereo.



DOUBLE DIN MOUNT

1. Mount the 6699 and 6700 left and right brackets to the aftermarket stereo using screws supplied with stereo or reusing screws from factory stereo, if possible.
2. Remove hazard switch assembly, A/C controls, cigarette lighter assembly, and sync unit (where applicable).
3. Re-attach all components to 6698 panel using factory hardware.
4. Connect stereo and mount into dash using the (4) 7mm screws.
5. Connect and install 6698 panel assembly over stereo.



NOTE:
REAR SUPPORT AVAILABLE SEPARATELY. REAR SUPPORTING THE STEREO ADDS TO THE INSTALLATION'S STRUCTURAL INTEGRITY.