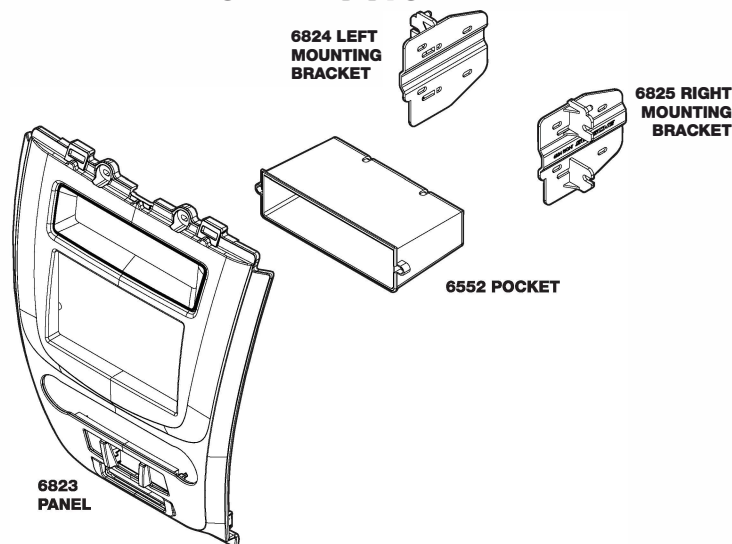


IN-DASH STEREO INSTALLATION KIT FOR 2010 NON-NAVIGATION FORD FUSION



INTRODUCTION/PRELIMINARY

This premium installation kit is for 2010 Ford Fusion vehicles. Included are all the parts you need to mount your car stereo or CD player into your vehicle's dash. Refer to the individual instruction in this manual to remove your vehicle's factory radio and assemble the kit.

CAUTION

DISCONNECT YOUR VEHICLE'S NEGATIVE BATTERY TERMINAL BEFORE THE INSTALLATION TO HELP PREVENT ELECTRICAL DAMAGE. WE RECOMMEND THE USE OF A VOLT/OHM METER OVER A TEST LIGHT TO CHECK WIRING. A TEST LIGHT OR GROUNDED WIRE PROBE CAN CAUSE DAMAGE TO THE VEHICLE'S COMPUTER AND/OR DIAGNOSTIC SYSTEMS. AVOID ALL FACTORY AIRBAG WIRING - AIRBAGS CAN ACCIDENTALLY DEPLOY CAUSING SERIOUS INJURY OR DEATH.

NOTES

- See your vehicle's instructions for any special tools your installation might require.
- Read all instructions accompanying your car stereo for proper wiring and mounting instructions.

FACTORY WIRING CODES

For Factory Wiring Codes go to: www.scosche-cars.com

CAR STEREO CONNECTORS

PROVIDE EASY CONNECTION OF YOUR CAR STEREO TO FACTORY WIRING HARNESS.

FDSR

2005-Up Ford/Lincoln/Mercury Replacement Interface

CRAB

2002-Up Chrysler/Jeep Antenna Adapter

FDSR



CRAB



LIABILITY DISCLAIMER

This instruction booklet is based on carefully documented data and research of automobile dash disassembly, wire harness/codes and information pertaining to installation of this kit (FD1443B) in 2010 Ford Fusion vehicles. Scosche Industries, Inc. cannot be held responsible for discrepancies/inconsistencies that may occur due to the automobile manufacturing changes or options, or damage that may occur in the automobile during the installation of components while using this booklet.

If you have any further questions, call our toll free technical help line at: **1-800-621-3695x3**

FACTORY STEREO REMOVAL

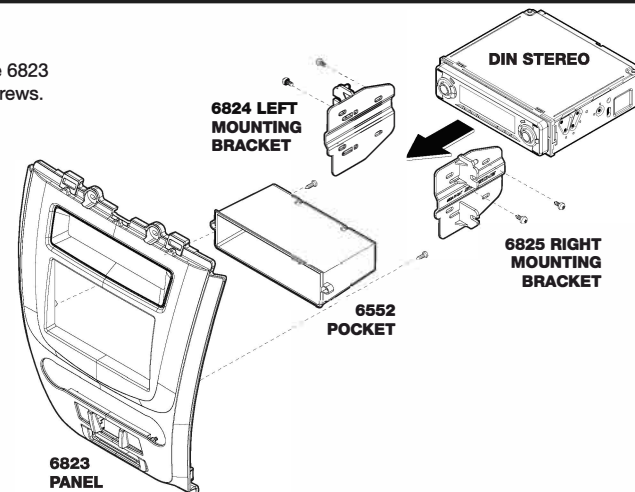
2010 FORD FUSION:

1. With a panel removal tool, unclip shifter trim bezel.
2. Open center console. Using panel removal tool, unclip cup holder panel starting from the inside of center console.
3. Using panel removal tool, unclip panel in front of shifter (under A/C control switch) and unplug.
4. From underneath steering wheel column, extract (1) 10mm socket with plastic strip securing radio panel.
5. Using panel removal tool, lift rubber mat inside the dash (center speaker compartment above radio) and extract (2) 8mm screws. Unclip radio panel using panel removal tool, unplug and remove.
6. Extract (2) 7mm screws securing top part of radio panel. Unclip radio panel beginning from the top using panel removal tool, unplug and remove.
7. Extract (4) 7mm screws securing the radio, unplug and remove.
8. Extract (4) T-20 torx head screws securing the A/C control switch onto the radio panel. Using the panel removal tool, unclip control switch under A/C control switch on radio panel.

MOUNTING THE STEREO

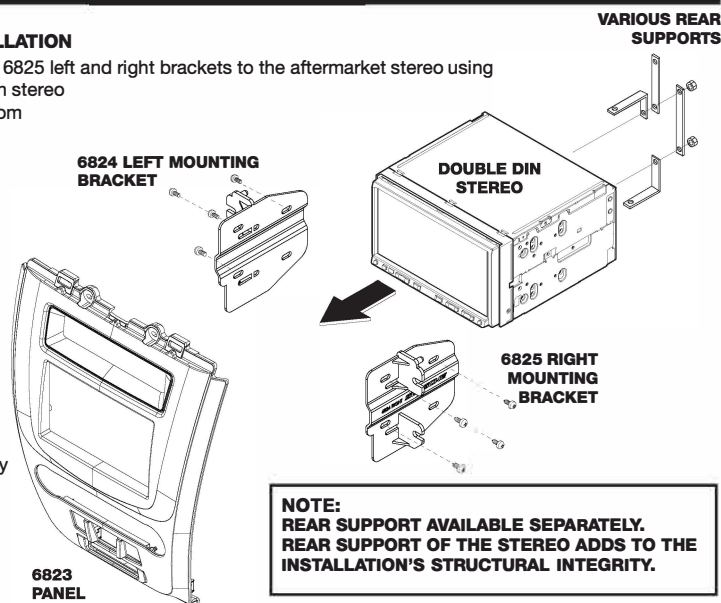
SINGLE DIN INSTALLATION

1. Attach the 6552 pocket to the 6823 panel with the (2) supplied screws.
2. Mount the 6824 and 6825 left and right brackets to the aftermarket stereo using screws supplied with stereo or reusing screws from factory stereo, if possible.
3. Remove HVAC control unit from factory panel.
4. Re-attach HVAC controls to 6823 panel using factory hardware.
5. Connect stereo and mount into dash using the (4) 7mm screws.
6. Connect and install 6723 panel assembly over stereo.



DOUBLE DIN INSTALLATION

1. Mount the 6824 and 6825 left and right brackets to the aftermarket stereo using screws supplied with stereo or reusing screws from factory stereo, if possible.
2. Remove HVAC control unit from factory panel.
3. Re-attach HVAC controls to 6823 panel using factory hardware.
4. Connect stereo and mount into dash using the (4) 7mm screws.
5. Connect and install 6723 panel assembly over stereo.



NOTE:
REAR SUPPORT AVAILABLE SEPARATELY.
REAR SUPPORT OF THE STEREO ADDS TO THE
INSTALLATION'S STRUCTURAL INTEGRITY.