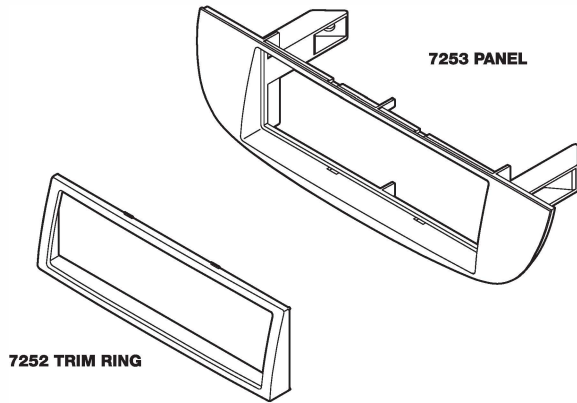


**IN-DASH STEREO INSTALLATION KIT FOR
2012 FIAT 500**



INTRODUCTION/PRELIMINARY

This premium installation kit is for 2012 Fiat 500 vehicles. Included are all the parts you need to mount your car stereo or CD player into your vehicle's dash. Refer to the individual instruction in this manual to remove your vehicle's factory radio and assemble the kit.

CAUTION
DISCONNECT YOUR VEHICLE'S NEGATIVE BATTERY TERMINAL BEFORE THE INSTALLATION TO HELP PREVENT ELECTRICAL DAMAGE. WE RECOMMEND THE USE OF A VOLT/OHM METER OVER A TEST LIGHT TO CHECK WIRING. A TEST LIGHT OR GROUNDED WIRE PROBE CAN CAUSE DAMAGE TO THE VEHICLE'S COMPUTER AND/OR DIAGNOSTIC SYSTEMS. AVOID ALL FACTORY AIRBAG WIRING - AIRBAGS CAN ACCIDENTALLY DEPLOY CAUSING SERIOUS INJURY OR DEATH.

- NOTES**
- See your vehicle's instructions for any special tools your installation might require.
 - Read all instructions accompanying your car stereo for proper wiring and mounting instructions.

FACTORY WIRING CODES

For Factory Wiring Codes go to: www.scosche-cars.com

CAR STEREO CONNECTORS			VWA3B
PROVIDE EASY CONNECTION OF YOUR CAR STEREO TO FACTORY WIRING HARNESS.			
TBA	VWA3B VW/Audi/BMW Antenna Adapter	TBA	

LIABILITY DISCLAIMER

This instruction booklet is based on carefully documented data and research of automobile dash disassembly, wire harness/codes and information pertaining to installation of this kit (FT4275B/WB) in 2012 Fiat 500 vehicles. Scosche Industries, Inc. cannot be held responsible for discrepancies/inconsistencies that may occur due to the automobile manufacturing changes or options, or damage that may occur in the automobile during the installation of components while using this booklet.

If you have any further questions, call our toll free technical help line at: **1-800-621-3695x3**

FACTORY STEREO REMOVAL

2012 FIAT 500

1. Use a panel removal tool (PRT) to unclip (4) blank radio buttons and remove.
2. Use Ford removal tools to remove the radio, unplug and remove.
3. Unscrew (2) Phillips head screws securing the radio cage, retain for radio reassembly.
4. Unscrew (1) 10mm bolt securing the radio cage and remove.

NOTE: SOME FILING OF THE DASH CAVITY MAY BE NEEDED FOR PROPER FITMENT OF RADIO.

MOUNTING THE STEREO

DIN MOUNT

1. Mount 7253 panel into dash and secure with (2) Phillips head screws removed during disassembly.
2. Slide DIN stereo's mounting sleeve into 7253 panel opening; Bend all available mounting tabs outward to lock the assembly to the dash panel (Figure 1).
3. With the DIN stereo wiring complete slide the stereo into the dash until secure.
4. Snap 7254 trim ring into place.

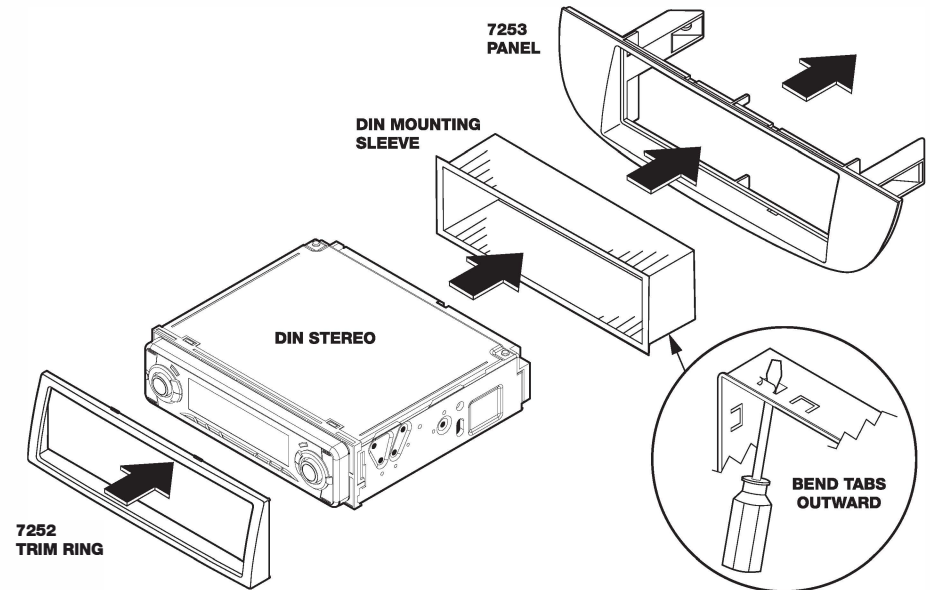


FIGURE 1