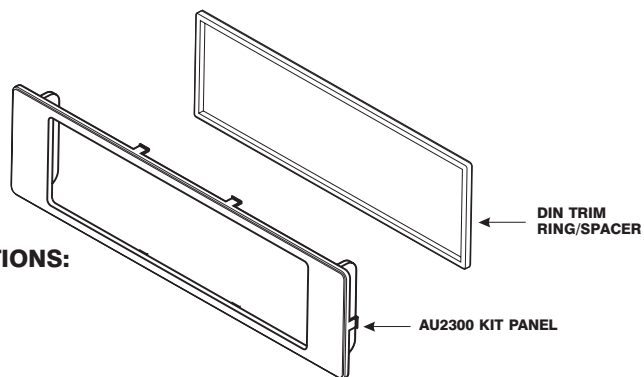


IN-DASH DIN RADIO INSTALLATION KIT FOR 1996-UP SELECT AUDI VEHICLES



VEHICLE APPLICATIONS:

AUDI

- 1996-UP A4
- 1996-UP A6
- 1996-UP A8

INTRODUCTION

Thank you for purchasing the Scosche AU2300 Installation Kit. This installation kit was manufactured to the highest quality standards with the best materials available.

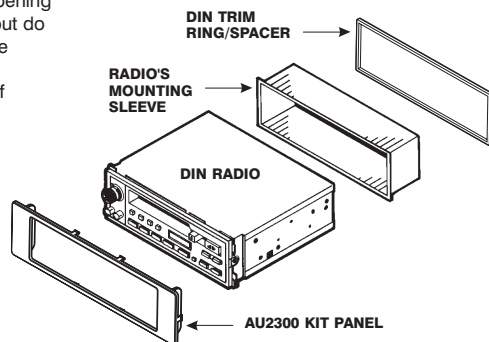
FACTORY STEREO REMOVAL

1. Use Audi radio extraction tools or flat release keys (Early Pioneer pointed keys will work) and release the radio from the dash.
2. Unplug connectors and remove radio.

Caution: Be sure to have the Factory security code for the radio if it is to be reinstalled at a later date.

STEREO INSTALLATION

1. Mount the DIN stereo in the factory radio opening with the radio's supplied mounting sleeve but do not bend any mounting tabs. Do not use the radio's trim ring. If your new radio has a permanent trim ring, it will have to be cut off to use the AU2300 kit.
2. Snap the AU2300 panel into the radio and check for proper faceplate clearance. The installation should appear as an ISO mount. If the radio is set too far back, then use the Scosche DIN trim ring included with this kit around the radio's mounting sleeve to space it outward.
3. Once the positioning is correct, then make all wiring connections and mount radio permanently.



LIABILITY DISCLAIMER

This instruction booklet is based on carefully documented data and research of automobile dash disassembly, wire harness/codes and information pertaining to installation of this kit (AU2300) in 1996-UP Audi Vehicles. Scosche Industries, Inc. can not be held responsible for discrepancies/inconsistencies that may occur due to the automobile manufacturing changes or options, or damage that may occur in the automobile during the installation of components while using this booklet.

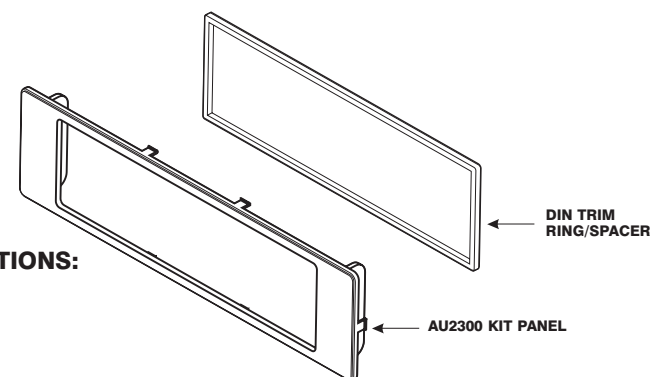
If you have any further questions, call

© 1997 SCOSCHE INDUSTRIES, INC.

TECH HELP: 1-800-621-3695x3

SI 11/97-AU2300(3000315)

IN-DASH DIN RADIO INSTALLATION KIT FOR 1996-UP SELECT AUDI VEHICLES



VEHICLE APPLICATIONS:

AUDI

- 1996-UP A4
- 1996-UP A6
- 1996-UP A8

INTRODUCTION

Thank you for purchasing the Scosche AU2300 Installation Kit. This installation kit was manufactured to the highest quality standards with the best materials available.

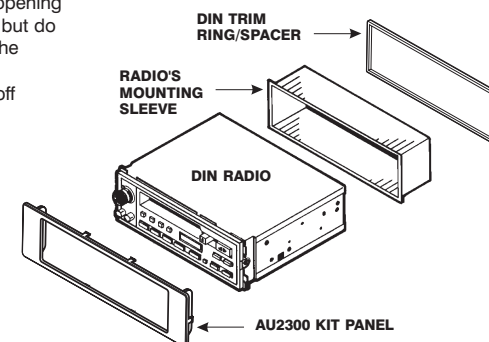
FACTORY STEREO REMOVAL

1. Use Audi radio extraction tools or flat release keys (Early Pioneer pointed keys will work) and release the radio from the dash.
2. Unplug connectors and remove radio.

Caution: Be sure to have the Factory security code for the radio if it is to be reinstalled at a later date.

STEREO INSTALLATION

1. Mount the DIN stereo in the factory radio opening with the radio's supplied mounting sleeve but do not bend any mounting tabs. Do not use the radio's trim ring. If your new radio has a permanent trim ring, it will have to be cut off to use the AU2300 kit.
2. Snap the AU2300 panel into the radio and check for proper faceplate clearance. The installation should appear as an ISO mount. If the radio is set too far back, then use the Scosche DIN trim ring included with this kit around the radio's mounting sleeve to space it outward.
3. Once the positioning is correct, then make all wiring connections and mount radio permanently.



LIABILITY DISCLAIMER

This instruction booklet is based on carefully documented data and research of automobile dash disassembly, wire harness/codes and information pertaining to installation of this kit (AU2300) in 1996-UP Audi Vehicles. Scosche Industries, Inc. can not be held responsible for discrepancies/inconsistencies that may occur due to the automobile manufacturing changes or options, or damage that may occur in the automobile during the installation of components while using this booklet.

If you have any further questions, call

© 1997 SCOSCHE INDUSTRIES, INC.

TECH HELP: 1-800-621-3695x3

SI 11/97-AU2300(3000315)