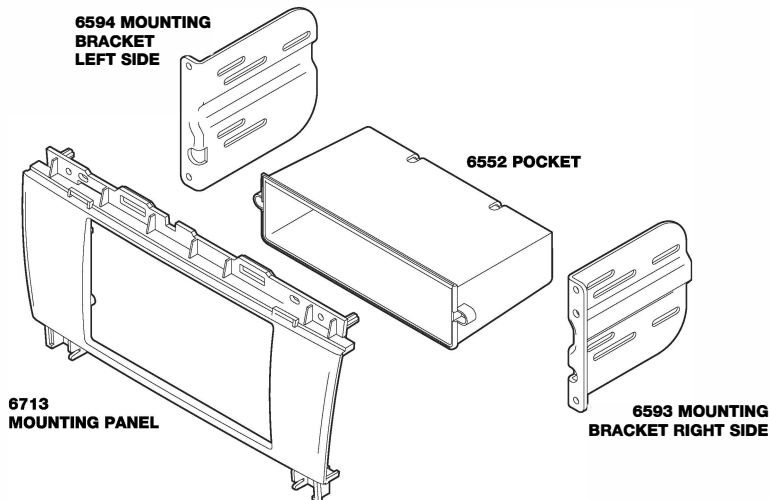


## IN-DASH INSTALLATION KIT FOR 2005-08 BUICK LACROSSE



### INTRODUCTION/PRELIMINARY

This premium installation kit is for 2005-08 Buick Lacrosse vehicles. Included are all the parts you need to mount your car stereo/cassette or CD player into your vehicle's dash. Refer to the individual instruction in this manual to remove your vehicle's factory radio and assemble the kit.

**CAUTION:**  
**DISCONNECT YOUR VEHICLE'S NEGATIVE BATTERY TERMINAL BEFORE THE INSTALLATION TO HELP PREVENT ELECTRICAL DAMAGE. WE RECOMMEND THE USE OF A VOLT/OHM METER OVER A TEST LIGHT TO CHECK WIRING. A TEST LIGHT OR GROUNDED WIRE PROBE CAN CAUSE DAMAGE TO THE VEHICLE'S COMPUTER AND/OR DIAGNOSTIC SYSTEMS. AVOID ALL FACTORY AIR BAG WIRING - AIR BAGS CAN ACCIDENTLY DEPLOY CAUSING SERIOUS INJURY OR DEATH.**

**NOTES:**

- See your vehicle's instructions for any special tools your installation might require.
- Read all instructions accompanying your car stereo/cassette player for proper wiring and mounting instructions.

### FACTORY WIRING CODES

For Factory Wiring Codes go to: [www.scosche-cars.com](http://www.scosche-cars.com)

#### CAR STEREO CONNECTORS

PROVIDE EASY CONNECTION OF YOUR CAR STEREO TO FACTORY WIRING HARNESS.

**GMO9SR**  
 Stereo Replacement Interface w/ Door Chime

**MDA1B**  
 1988-Up GM/Micro/Delco Antenna Adapter



### LIABILITY DISCLAIMER

This instruction booklet is based on carefully documented data and research of automobile dash disassembly, wire harness/codes and information pertaining to installation of this GM1524B kit for 2005-08 Buick Lacrosse vehicles. Scosche Industries, Inc. can not be held responsible for discrepancies/inconsistencies that may occur due to the automobile manufacturing changes or options, or damage that may occur in the automobile during the installation of components while using this booklet.

### FACTORY STEREO REMOVAL

#### 2005-08 BUICK LACROSSE

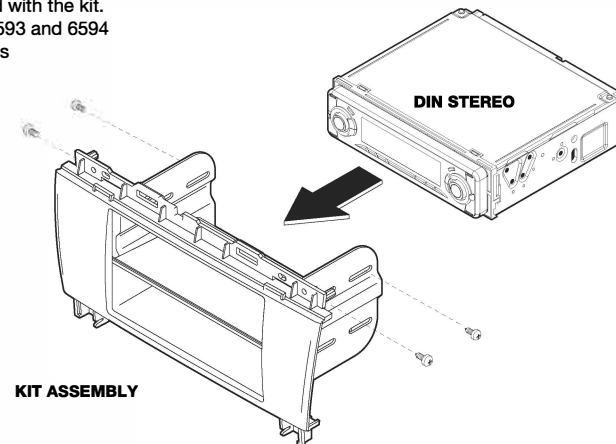
1. Using a panel removal tool, unsnap and remove the panel just below the A/C controls.
2. Remove the (2) screws from the A/C controls. Unplug and remove the A/C controls.
3. Unsnap and remove the trim panel above the stereo.
4. Remove the (4) screws from the stereo. Unplug and remove the stereo.

### MOUNTING THE STEREO

#### ISO DIN MOUNT

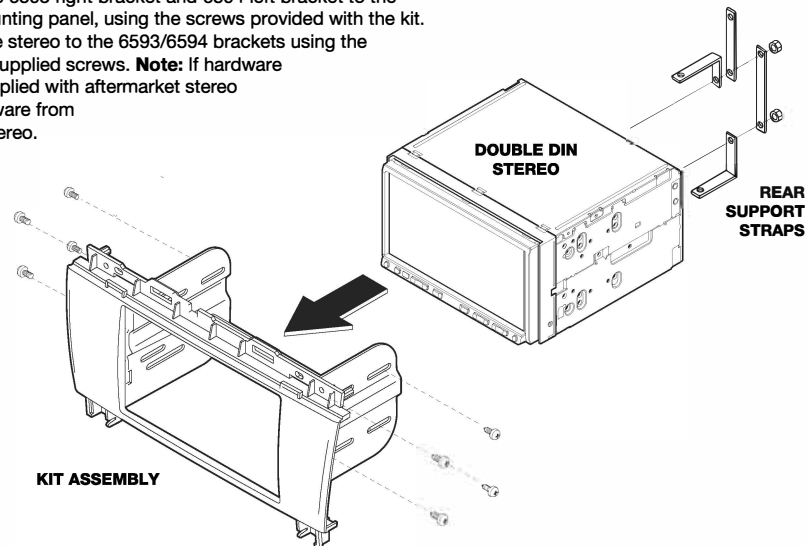
1. Attach the 6552 pocket to the 6713 mounting panel using the screws provided with the kit.
2. Attach the 6593 right bracket and 6594 left bracket to the 6713 mounting panel, using the screws provided with the kit.
3. Mount the stereo to the 6593 and 6594 brackets using the stereo's supplied screws.

**Note:** If hardware is not supplied with aftermarket stereo use hardware from factory stereo.



#### DOUBLE DIN MOUNT

1. Attach the 6593 right bracket and 6594 left bracket to the 6713 mounting panel, using the screws provided with the kit.
2. Mount the stereo to the 6593/6594 brackets using the stereo's supplied screws. **Note:** If hardware is not supplied with aftermarket stereo use hardware from factory stereo.



**NOTE:**  
 REAR SUPPORTING THE RADIO ADDS TO THE INSTALLATION'S STRUCTURAL INTEGRITY. REAR SUPPORT AVAILABLE SEPARATELY.