

## VEHICLE DISASSEMBLY

### 2003-UP BMW Z4

#### RADIO REMOVAL:

1. Carefully pry out vent housing above radio.
2. Remove (2) Phillips head screws securing the radio to the dash, disconnect and remove.

## MOUNTING THE RADIO

### ISO DIN MOUNT: (DIN-E Radio with side mounting holes)

1. Bolt the right and left ISO mounting brackets to ISO DIN radio. Use hardware supplied with radio to bolt the 5723 mounting brackets.
2. Bolt assembled ISO DIN radio to factory dash. Refer to photograph below for mounting hole locations.
3. Bolt 5722 trim ring over assembled ISO DIN radio.

**CAUTION:**  
REAR SUPPORT AVAILABLE SEPARATELY. REAR SUPPORTING THE RADIO ADDS TO THE INSTALLATIONS STRUCTURAL INTEGRITY.

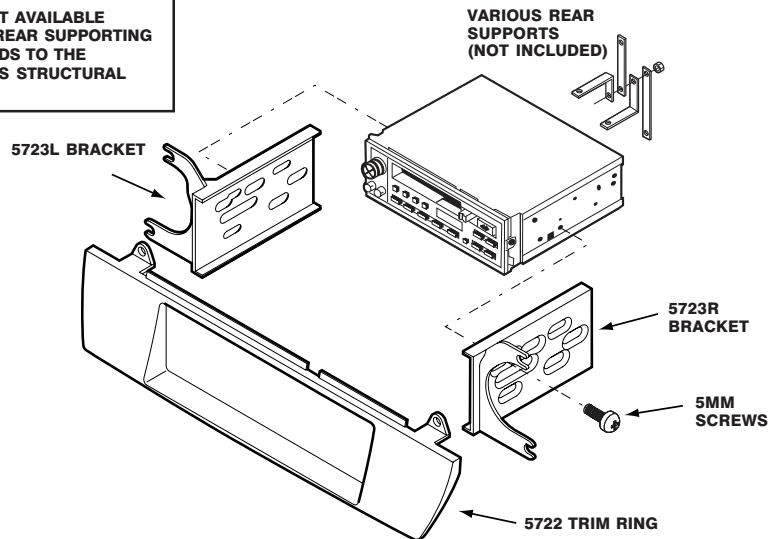


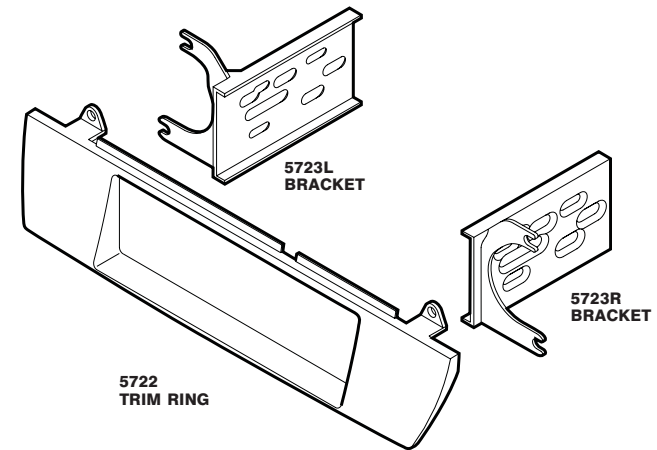
Photo of factory dash cavity



# SCOSCHE®

## BW2335B

### IN-DASH INSTALLATION KIT FOR 2003-UP BMW Z4



## WIRE CODES

For Factory Wiring Codes go to: [www.scosche-cars.com](http://www.scosche-cars.com)

## INTRODUCTION

This premium installation kit is for the 2003-UP BMW Z4 vehicles. Included are all the parts you need to mount your car stereo, cassette or CD player into your vehicle's dash. Refer to the individual instruction in this manual to remove your vehicle's factory radio and assemble the kit.

#### CAUTION:

Disconnect your vehicle's negative battery terminal before the installation to help prevent electrical damage. We recommend the use of a volt/ohm meter over a test light to check wiring. A test light or grounded wire probe can cause damage to the vehicle's computer and/or diagnostic systems. Avoid all factory air bag wiring - air bags can accidentally deploy causing serious injury or death.

#### NOTES:

- See your vehicle's instructions for any special tools your installation might require.
- Read all instructions accompanying your car stereo/cassette player for proper wiring and mounting instructions.

**TECH HELP 1-800-621-3695x3**

#### LIABILITY DISCLAIMER

This instruction booklet is based on carefully documented data and research of automobile dash disassembly, wire harness/codes and information pertaining to installation of this kit in the listed vehicles. Manufacturer cannot be held responsible for discrepancies/inconsistencies that may occur due to the automobile manufacturing changes or options, or damage that may occur in the automobile during the installation of components while using this booklet.

If you have any further questions call:

© 2005 SCOSCHE INDUSTRIES, INC.

BW2335B 2/05 (3000005)