

FOR SELECT 2004-UP GM VEHICLES



CHEVROLET
 2004-Up Malibu
 2004-Up Malibu Maxx
 2005-Up Cobalt
PONTIAC
 2005-Up G6

INTRODUCTION

This premium installation kit is for 2004-Up Select GM vehicles. Included are all the parts you need to mount your car stereo/cassette or CD player into your vehicle's dash. Refer to the individual instruction in this manual to remove your vehicle's factory radio and assemble the kit.

CAUTION: DISCONNECT YOUR VEHICLE'S NEGATIVE BATTERY TERMINAL BEFORE THE INSTALLATION TO HELP PREVENT ELECTRICAL DAMAGE. WE RECOMMEND THE USE OF A VOLT/OHM METER OVER A TEST LIGHT TO CHECK WIRING. A TEST LIGHT OR GROUNDED WIRE PROBE CAN CAUSE DAMAGE TO THE VEHICLE'S COMPUTER AND/OR DIAGNOSTIC SYSTEMS. AVOID ALL FACTORY AIR BAG WIRING - AIR BAGS CAN ACCIDENTALLY DEPLOY CAUSING SERIOUS INJURY OR DEATH.

NOTES:

- See your vehicle's instructions for any special tools your installation might require.
- Read all instructions accompanying your car stereo/cassette player for proper wiring and mounting instructions.

LIABILITY DISCLAIMER

This instruction booklet is based on carefully documented data and research of automobile dash disassembly, wire harness/codes and information pertaining to installation of this kit (#GM1593). Scosche Industries, Inc. can not be held responsible for discrepancies/inconsistencies that may occur due to the automobile during the installation of components while using this booklet.

If you have any further questions, call:
 ©2005 SCOSCHE INDUSTRIES, INC.

TECH HELP 1-800-621-3695, ext. 3
 SI 10/05 - GM1593 (3000003)

GM1593 DISPLAY



INFO: Pushing this button cycles through the following GM Vehicle Information*.

1. Trip A
2. Trip B
3. Fuel Range
4. Econ (example: 28.7 mpg)
5. Avg. Speed
6. Oil Life (example: 75%)

MENU: Pushing this button cycles through the following GM Vehicle Information*.

1. Oil Life Reset
2. Units: English or Metric
3. Lock Horn: Off or Horn
4. Unlock Horn: Off or On
5. Lights Flash: Off or On
6. Delay Lock: Off or On
7. Auto Unlock: All or Driver
8. Unlock: Shift to P or Key Off
9. Exterior Lights: On or Off
10. Security: RKE or Passive
11. Language: English, French, Spanish, German

ENTER: Switches preferences

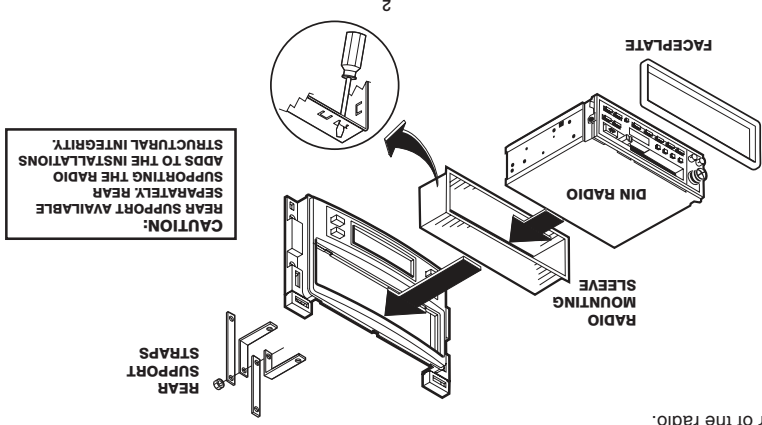
4th BUTTON: Displays GM1593 software version information.

* For additional information on menus and options, consult vehicle's owner's manual.

GM1593 DISPLAY

IN-DASH DIN PULLOUT, DETACHABLE FACEPLATE, (DIN-E) RADIOS

The kit panel comes DIN ready. Follow the instructions supplied with the radio, secure the mounting kit. Install the assembly in the dash and use the rear support strap supplied with the radio to support the rear of the radio.



RADIO REMOVAL

2005-UP CHEVROLET COBALT

1. Open glove box. Using panel removal tool, carefully unsnap dash trim bezel, lift away and remove.
2. Using panel removal tool, unsnap driver knee panel, lift away, disconnect and remove.
3. Using panel removal tool, unsnap dash trim bezel on right side of steering wheel, lift away, disconnect and remove.
4. Using panel removal tool, unsnap dash bezel, lift away and remove.
5. Extract (4) four 7mm hex bolts securing radio, lift away, disconnect and remove.

2004-UP CHEVROLET MALIBU

2004-UP CHEVROLET MALIBU MAXX

1. Open glove box, remove (8) (8) eight 9/32" screws from the inside glove box and remove trim above glove box using panel removal tool.
2. Pop off side panel next to door and remove two screws. Remove glove box.
3. Remove trim below key hole.
4. Remove (2) two 9/32" screws from under driver's dash panel.
5. Remove side panel from driver's dash using panel removal tool and remove (2) two 9/32" screws.
6. Driver's side under dash can now be removed.
7. Using panel removal tool, remove radio dash bezel.
8. Remove (2) two 9/32" screws holding A/C controls and remove A/C controls.
9. Remove (4) four 9/32" screws holding radio to dash. Disconnect and remove radio.

2005-UP PONTIAC G6

1. Open glove box, remove (7) seven 9/32" screws from the inside glove box.
2. Pop off side panel next to door and remove (2) two screws. Remove glove box.
3. Remove (3) three 9/32" screws from under driver's dash panel.
4. Remove side panel from driver's dash using panel removal tool. Remove (2) two screws from behind.
5. Driver's side under dash can now be removed.
6. Using panel removal tool, remove radio dash bezel.
7. Remove (2) two 9/32" screws holding A/C controls and remove A/C controls.
8. Remove (4) four 9/32" screws holding radio to dash. Disconnect and remove radio.