

DOUBLE-DIN INSTALLATION KIT FOR SELECT 2005-UP CHRYSLER, DODGE & JEEP VEHICLES WITH NAVIGATION RADIO

DODGE

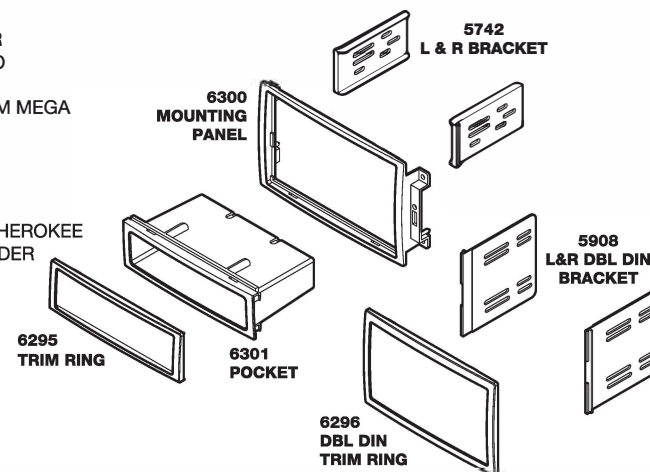
2005-UP CHARGER
2005-UP DURANGO
2005-UP MAGNUM
2005-UP RAM / RAM MEGA

CHRYSLER

2007- UP ASPEN
2005-UP 300c

JEEP

2005-UP GRAND CHEROKEE
2006-UP COMMANDER



INTRODUCTION/PRELIMINARY

This premium installation kit is for Select 2005-UP CHRYSLER, DODGE, & JEEP vehicles with navigation. Included are all the parts you need to mount your car stereo/cassette or CD player into your vehicle's dash. Refer to the individual instruction in this manual to remove your vehicle's factory radio and assemble the kit.

CAUTION:

Disconnect your vehicle's negative battery terminal before the installation to help prevent electrical damage. We recommend the use of a volt/ohm meter over a test light to check wiring. A test light or grounded wire probe can cause damage to the vehicle's computer and/or diagnostic systems. Avoid all factory airbag wiring - airbags can accidentally deploy causing serious injury or death.

NOTES:

- See your vehicle's instructions for any special tools your installation might require.
- Read all instructions accompanying your car stereo/cassette player for proper wiring and mounting instructions.

FACTORY WIRING CODES

For Factory Wiring Codes go to: www.scosche-cars.com

CAR STEREO CONNECTORS

PROVIDE EASY CONNECTION OF YOUR CAR STEREO TO FACTORY WIRING HARNESS.

CROSSR

2005-up CHRYSLER,
DODGE, JEEP

CRAB

2002-up CHRYSLER,
DODGE, JEEP



LIABILITY DISCLAIMER

This instruction booklet is based on carefully documented data and research of automobile dash disassembly, wire harness/codes and information pertaining to installation of this kit (CR1289B) in Select 2005-up CHRYSLER, DODGE, & JEEP vehicles with navigation. Scosche Industries, Inc. cannot be held responsible for discrepancies/inconsistencies that may occur due to the automobile manufacturing changes or options, or damage that may occur in the automobile during the installation of components while using this booklet.

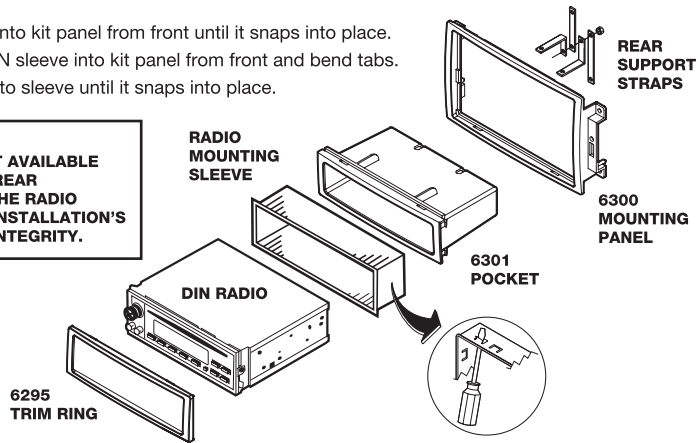
If you have any further questions, call our toll free technical help line at: **1-800-621-3695x3**

MOUNTING THE RADIO

DIN MOUNT

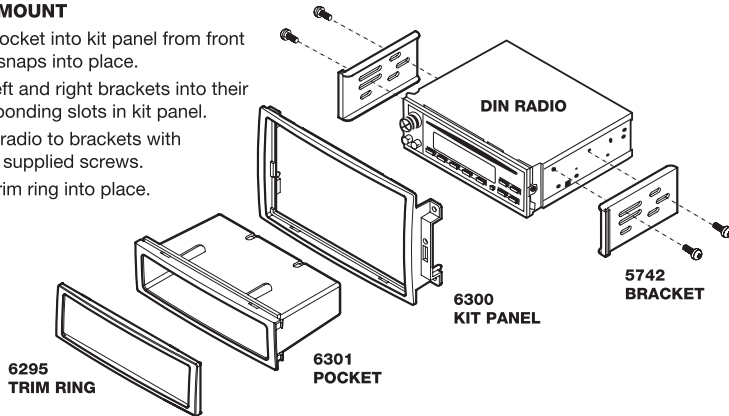
1. Slide pocket into kit panel from front until it snaps into place.
2. Next, slide DIN sleeve into kit panel from front and bend tabs.
3. Insert radio into sleeve until it snaps into place.

NOTE:
REAR SUPPORT AVAILABLE SEPARATELY. REAR SUPPORTING THE RADIO ADDS TO THE INSTALLATION'S STRUCTURAL INTEGRITY.



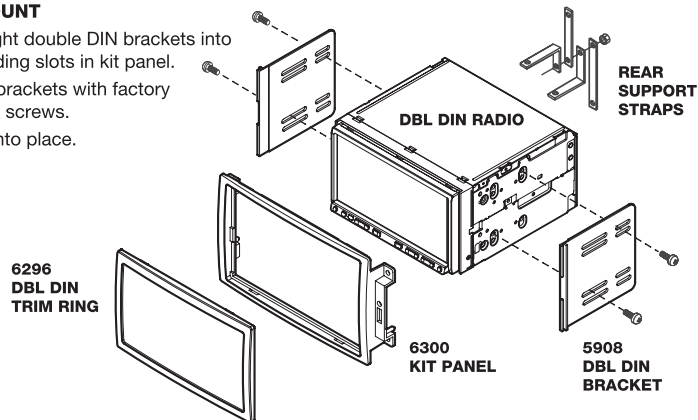
ISO DIN MOUNT

1. Slide pocket into kit panel from front until it snaps into place.
2. Slide left and right brackets into their corresponding slots in kit panel.
3. Mount radio to brackets with radio's supplied screws.
4. Snap trim ring into place.



DOUBLE DIN MOUNT

1. Slide left and right double DIN brackets into their corresponding slots in kit panel.
2. Mount radio to brackets with factory radio's supplied screws.
3. Snap trim ring into place.



RADIO REMOVAL

2007 CHRYSLER ASPEN; 2004-UP DODGE DURANGO

RADIO REMOVAL:

1. Extract (2) 7mm screws from underneath the front dash bezel surrounding the radio and AC controls. The bolts are located in the cubby hole in front of the center console.
2. Using panel removal tool pop out radio dash bezel and remove.
3. Extract (4) 7mm screws securing radio. Disconnect and remove.

2005-UP DODGE CHARGER; 2005-UP DODGE MAGNUM

RADIO REMOVAL:

1. Using a panel removal tool, unsnap and remove the trim around the radio and climate control bracket that holds the A/C vents.
2. Remove the 10mm bolts holding the radio and climate control bracket. Disconnect and remove.

2006-UP DODGE RAM / RAM MEGA

RADIO REMOVAL:

1. Fold down cup holder panel in center dash. Extract (2) 9/32" Phillips head screws from underneath dash panel above cup holder.
2. Using a panel removal tool, Remove entire radio bezel and AC controls. Disconnect and remove.
3. Extract (4) 9/32" Phillips head screws securing the radio to dash. Disconnect and remove.

2005-UP CHRYSLER 300C

RADIO REMOVAL:

1. Using a panel removal tool remove the trim around the radio and climate control bracket that holds the A/C vents.
2. Extract (4) 7mm screws securing radio. Disconnect and remove.

2005-UP JEEP GRAND CHEROKEE

RADIO REMOVAL:

1. Using panel removal tool carefully unsnap radio trim bezel. Lift away & remove.
2. Extract (4) 7mm screws securing the radio. Lift away, disconnect & remove.

2006-UP JEEP COMMANDER

RADIO REMOVAL:

1. Remove (16) silver Allen head screws from front of dash.
2. Carefully pull dash from right front corner to release retainer clips. Then continue releasing retainer clips along top of dash from right to left. There are two clips on dash above steering column that need to be released. There is 1 clip on dash right below radio. Once all clips released remove dash.
3. Extract (4) 7mm screws securing the radio, disconnect and remove.