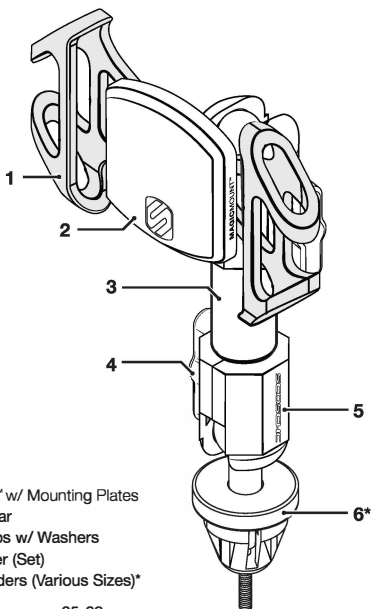




PSM11013

TerraClamp™

**MAGICMOUNT™ Fork Stem****PARTS INCLUDED**

1. (1) Elastic Band
2. (1) **MAGIC MOUNT™** w/ Mounting Plates
3. (1) 1.5" Extension Bar
4. (2) Adjustment Knobs w/ Washers
5. (2) Mounting Adapter (Set)
6. (5) Mounting Expanders (Various Sizes)\*

- 12-16mm
- 17-21mm
- 21-25mm
- 25-29mm
- 29-33mm

**Mounting Expanders Included (6\*)**

(1) 12-16mm



(1) 17-21mm



(1) 21-25mm



(1) 25-29mm



29-33mm

**STOP****IMPORTANT!****DO NOT RETURN PRODUCT TO THE RETAILER**

IF YOU NEED ASSISTANCE OR REPLACEMENT PARTS CALL US TOLL FREE: 800-363-4490 x1  
 HOURS: MON-FRI 8AM-5:30PM (PST) SATURDAY 8AM-2PM (PST)

# MOUNTING THE MAGICPLATE™

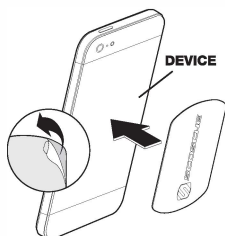
## OPTION 1 (small or large plate)

Attach adhesive side of metal plate directly to back of device



## OPTION 2 (small or large plate)

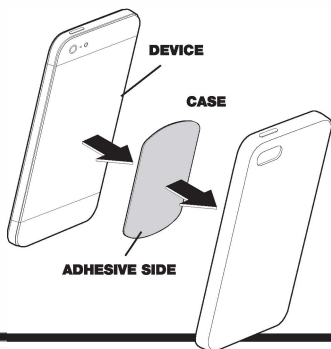
Attach adhesive side of metal plate directly to back of case



## OPTION 3 (large plate only)

Attach adhesive side of metal plate to interior of case, between device and inside of case. Plate will adhere to magnetic mount through rear panel of case.

**NOTE:** If you choose not to attach the metal plate to the device or case please leave the adhesive backing in place. Position the plate between the device and interior of case with the metal surface facing the case.



## MAGICPLATE™ PLACEMENT



For Typical Smartphones



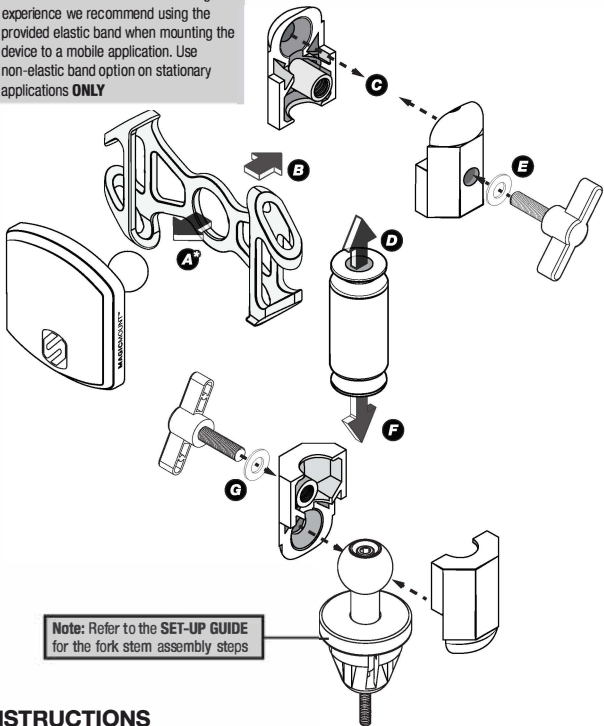
For Wireless Charging  
Qi-enabled Smartphones

## REMOVING THE MAGICPLATE™

Use a thin plastic card to carefully lift the plate's adhesive surface from the mounting surface. Slowly lift up and remove the plate.

## ASSEMBLY

\* **NOTE:** For a stable and secure riding experience we recommend using the provided elastic band when mounting the device to a mobile application. Use non-elastic band option on stationary applications **ONLY**



## INSTRUCTIONS

1. Install **MAGICMOUNT™** ball into the elastic center ring and hook into place (**A\***)
2. Mount **MAGICMOUNT™** assembly (**B**) along with the two mounting adapters (**C**) to the extension bar (**D**)
3. Insert the top tightening knob through one of the washers and tighten into the Magic Mount adapter assembly (**E**).
4. Assemble the fork stem adapter in the following order:
  - Screw through washer and into top of ball joint.
  - Ball joint assembly into base slot and insert another washer through the screw.
  - Select appropriate size expander and tighten into place.
5. Select the fork stem mounting location and tighten using an Allen key. Once the expander is secured, mount the top Magic Mount assembly (**F**) using the last two adapters, (1) tightening knob and (1) washer by doing the same process executed on step two (**G**).

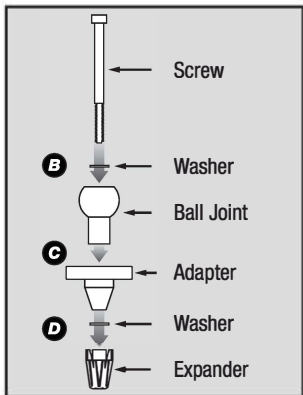
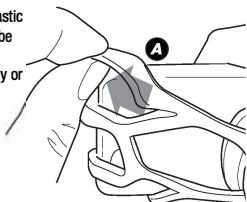
**For complete warranty details, please visit us at [www.scosche.com](http://www.scosche.com) or call (800) 363-4490**

## SET-UP GUIDE

### Elastic Band

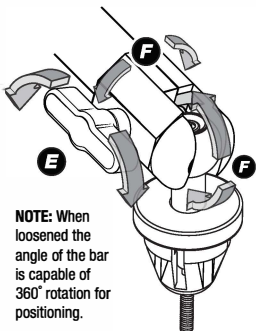
With the metal plate positioned onto the device, align the elastic band with your device and attach to the corners of your device as shown (A). The elastic band will secure your device while riding.

**NOTE:** Elastic band can be positioned horizontally or vertically



### Assembling Fork Stem

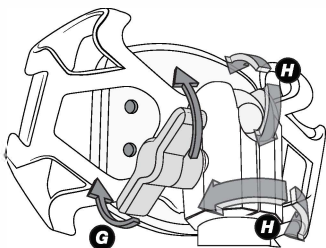
Insert the screw through one of the washers provided (B). Second, insert the screw assembly through top of the ball joint (C). Third, place the ball joint assembly onto base adapter (D) and insert the second washer through the extruded screw thread. Lastly, select the appropriate size expander and temporarily hand tighten into place until mounting onto location.



**NOTE:** When loosened the angle of the bar is capable of 360° rotation for positioning.

### Fork Stem Angle Adjustment

To reposition the angle of the fork stem first loosen the tightening knob (E). Next, reposition the angle of the bar in the position wanted (F). Once the position is set, tighten the knob (E) to secure the desired angle of the bar extension.



### Magic Mount Adjustment

Loosen knob (G) to reposition the angle of the **MAGICMOUNT™** up to 360° (H). Once the position is set, tighten the knob (G) to secure the positioning **MAGICMOUNT™**.

**NOTE:** When loosened the angle of the mount is capable of 360° rotation for positioning.