

2006 FORD FUSION 2006 MERCURY MILAN

1. Using a panel removal tool remove the trim around the radio.
2. Remove the four (4) 7mm screws holding the radio in place. Disconnect and remove.

2006 FORD EXPLORER 2006 MERCURY MOUNTAINEER

1. Lift center console lid and extract (2) two 7mm hex screws.
2. Using a Panel Removal Tool, lift up to release bezel surrounding center shift.
3. Using a Panel Removal Tool, unsnap radio dash bezel surrounding radio.

STEREO INSTALLATION (Cont'd)

2005-UP FORD FIVE HUNDRED 2005-UP MERCURY MONTEGO

1. Unsnap shifter trim bezel, lift away and remove.
2. Unsnap center console bezel, left away and remove.
3. Extract (2) 7mm hex bolts securing bottom edge of dash panel. Unsnap dash panel, lift away, disconnect and remove.
4. Extract (4) 7mm hex bolts securing radio, lift away, disconnect and remove.

2005-UP FORD FREESTYLE

1. Unsnap dash bezel, lift away, disconnect and remove.
2. Extract (4) 7mm hex bolts securing radio, lift away, disconnect and remove.

2005 FORD MUSTANG

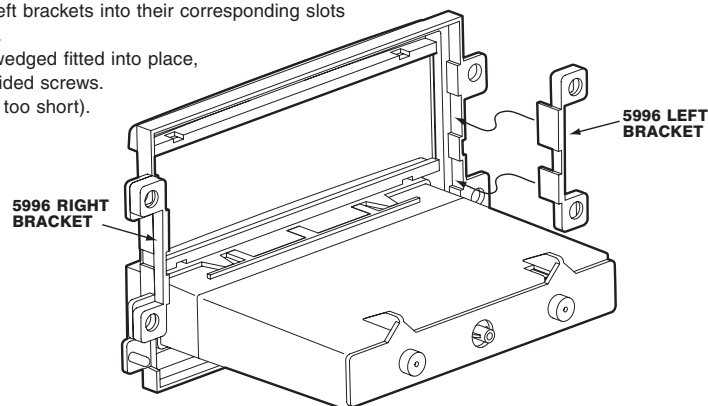
1. Open center console, remove two (2) Phillips head screws from back of console cover. Lift up and remove. (Console cover is held in place by two screws in back and press clips on each side and front.)
2. Remove panel from along side of center dash by pulling from bottom to top. Panels are held in place via press clips.
3. To remove radio trim bezel, extract (6) 9/32 screws (three on each side) from panel. Unplug heat and AC control harnesses, remove panel. Extract four 9/32 screws from radio mounting, unplug and remove.

BRACKET INSTALLATION

NOTE: The 5996 Left and Right Brackets are to be used for the following vehicles:

**2006 Ford Explorer
2006 Ford Fusion
2006 Mercury Milan
2006 Mercury Mountaineer**

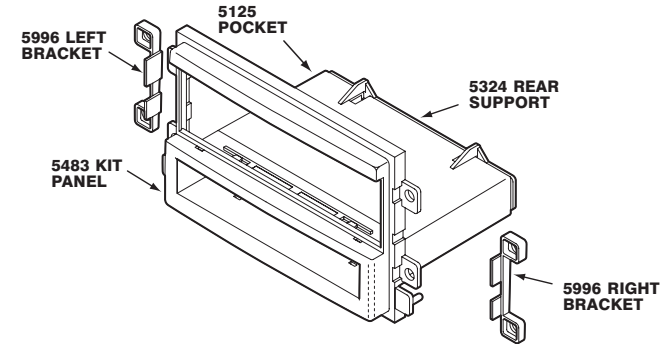
1. Slide the right and left brackets into their corresponding slots located on kit panel.
2. Once brackets are wedged fitted into place, install kit using provided screws. (Factory screws are too short).



SCOSCHE®

FD1424B

2004-UP FORD F150; 2005 FORD MUSTANG; 2005-UP FORD FIVE HUNDRED, FREESTYLE, MERCURY MONTEGO; 2006 FORD EXPLORER, FUSION, MERCURY MILAN, MOUNTAINEER



FACTORY WIRING CODES

CAR STEREO CONNECTORS

PROVIDE EASY CONNECTION OF YOUR CAR STEREO TO FACTORY WIRING HARNESS.

FD23B
2003-UP Select Ford



INTRODUCTION / PRELIMINARY

Thank you for purchasing the Scosche FD1424B kit. This kit was manufactured with the highest of quality standards.

CAUTION: DISCONNECT YOUR VEHICLE'S NEGATIVE BATTERY TERMINAL BEFORE THE INSTALLATION TO HELP PREVENT ELECTRICAL DAMAGE. WE RECOMMEND THE USE OF A VOLT/OHM METER OVER A TEST LIGHT TO CHECK WIRING. A TEST LIGHT OR GROUNDED WIRE PROBE CAN CAUSE DAMAGE TO THE VEHICLE'S COMPUTER AND/OR DIAGNOSTIC SYSTEMS. AVOID ALL FACTORY AIR BAG WIRING - AIR BAGS CAN ACCIDENTALLY DEPLOY CAUSING SERIOUS INJURY OR DEATH.

NOTES:

- See your vehicle's instructions for any special tools your installation might require.
- Read all instructions accompanying your car stereo/cassette player for proper wiring and mounting instructions.

STEREO INSTALLATION

TECH HELP 1-800-621-3695X3

2004-UP FORD F-150

1. Using panel removal tool, pry loose panel from around radio, vent, and shifter. Unplug and remove.
2. Remove (4) Phillips head screws from radio brackets. Unplug and remove.

LIABILITY DISCLAIMER

This instruction booklet is based on carefully documented data and research of automobile dash disassembly, wire harness/codes and information pertaining to installation of this kit in the listed vehicles. Manufacturer cannot be held responsible for discrepancies/inconsistencies that may occur due to the automobile manufacturing changes or options, or damage that may occur in the automobile during the installation of components while using this booklet.

If you have any further questions call:

FD1424B 3/06 (3000413)

©2006 SCOSCHE INDUSTRIES, INC.